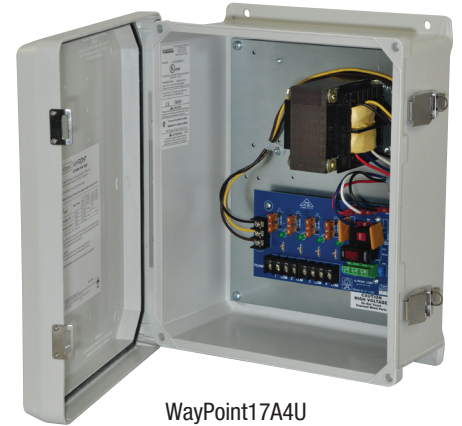


WayPoint17AU Series

Outdoor AC Power Supplies



Altronix WayPoint Outdoor Power Supplies provide 24VAC and/or 28VAC distributed via two (2), four (4) or eight (8) outputs for powering CCTV cameras, heaters, and other video accessories.



WayPoint17A4U

Key Features

- NEMA 4/4X, IP66-11 Rated enclosure for outdoor use
- Two (2), four (4) or eight (8) fuse or PTC protected outputs
- 24VAC or 28VAC supply current
- Surge protection
- Spare fuses provided (all models with primary and/or secondary fuses)
- Lightweight molded fiberglass reinforced polyester enclosure is corrosion resistant and does not contain halogens
- Lockable stainless steel latches
- Integral flanges simplify wall or pole mounting
- UL Listed in the U.S. and Canada
- CE European Conformity
- Lifetime Warranty

WayPoint17AU Series Power Supply Configuration Reference Chart

Altronix Model Number	Input Current Draw		Output Voltage	Total Output Current (Power)	Number and Type of Outputs	Fuse Outputs Ratings	Auto-resettable PTC Outputs Ratings	Class 2 Rated power-limited outputs				
	115VAC 60Hz	230VAC 50Hz										
WayPoint17AU	2A	1A	24VAC	7.5A	2	5A/32V*	-	-				
			28VAC	6.25A								
			24VAC and 28VAC	6.25A	1 of each							
WayPoint17ADU			2A	1A	24VAC	7.5A	2	-	2.5A	✓		
					28VAC	6.25A						
					24VAC and 28VAC	6.25A	1 of each					
WayPoint17A4U	2A	1A			24VAC	7.5A	4 Fused	5A/32V*	-	-		
					28VAC	6.25A						
WayPoint17A4DU					2A	1A	24VAC				7.5A	4 PTCs
			28VAC	6.25A								
WayPoint17A8U			2A	1A			24VAC	7.5A	8 Fused	5A/32V*	-	-
							28VAC	6.25A				
WayPoint17A8DU	2A	1A					24VAC	7.5A	8 PTCs			
							28VAC	6.25A				

*Lower rated fuses can be used.

Lifetime Warranty

Specifications

Input

Voltage 115VAC, 50/60Hz, 2A or
230VAC, 50/60Hz, 1A

Output

Output Options:

- 24VAC or 28VAC
- Both 24VAC and 28VAC (WayPoint17AU/ADU only)

Indicators (LED)

Individual power output LED indicators
Illuminated master power switch

Agency Listings

UL/cUL:

- UL 60950-1 Information Technology Equipment
- UL 60950-22 Equipment to be Installed Outdoors
- CE European Conformity

Physical and Environmental

Dimensions (H x W x D)

Enclosure:

13.31" x 11.31" x 5.59" (338.1mm x 287.3mm x 142mm)

Shipping:

20.25" x 12.5" x 7.25" (514.4mm x 317.5mm x 184.2mm)

NEMA 4/4X, IP66-11 Rated enclosure for outdoor use

Weight (approx.)

Model	Product Weight	Shipping Weight
WayPoint17A(D)U	13.12 lb. (5.95 kg)	14.22 lb. (6.45 kg)
WayPoint17A4(D)U	13.12 lb. (5.95 kg)	14.22 lb. (6.45 kg)
WayPoint17A8(D)U	13.45 lb. (6.1 kg)	14.56 lb. (6.6 kg)

Temperature

Operating:

24VAC @ 7.5A output: - 40°C to 60°C (- 40°C to 140°F)

28VAC @ 6.25A output: - 40°C to 70°C (- 40°C to 158°F)

Storage:

- 40°C to 75°C - 40°C to 167°F

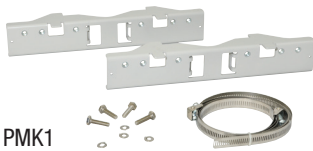
Relative Humidity

85% +/- 5%

BTU/Hr. (approx.):

90 BTU/Hr.

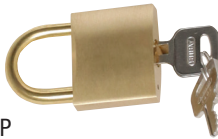
Accessories (order separately)



PMK1

PMK1 - Pole Mount Kit

PMK1 pole mount kit is designed to simplify installation of outdoor units. It accommodates 2" - 8" (diameter) poles.



Lock1WP

LOCK1WP - Pad Lock for Altronix Outdoor Enclosures

Altronix Lock1WP is a pad lock to secure the latches on Altronix outdoor enclosures. Includes a single pad lock and key.



WG1

WG1 - NEMA Rated Wire Gland Inlet

Altronix WG1 facilitates wiring for all Altronix outdoor enclosures.

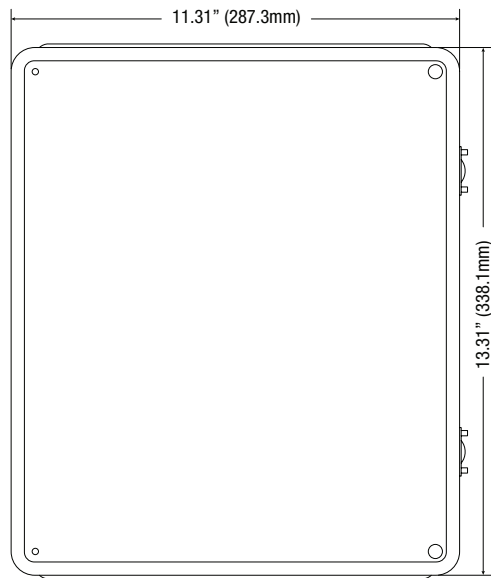
Lifetime Warranty

Dimensions and Drawing

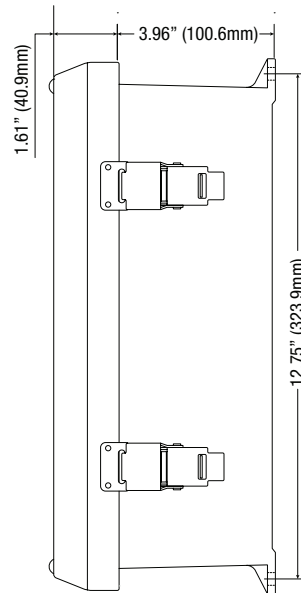
Dimensions (H x W x D approximate)

13.31" x 11.31" x 5.59" (338.1mm x 287.3mm x 142mm)

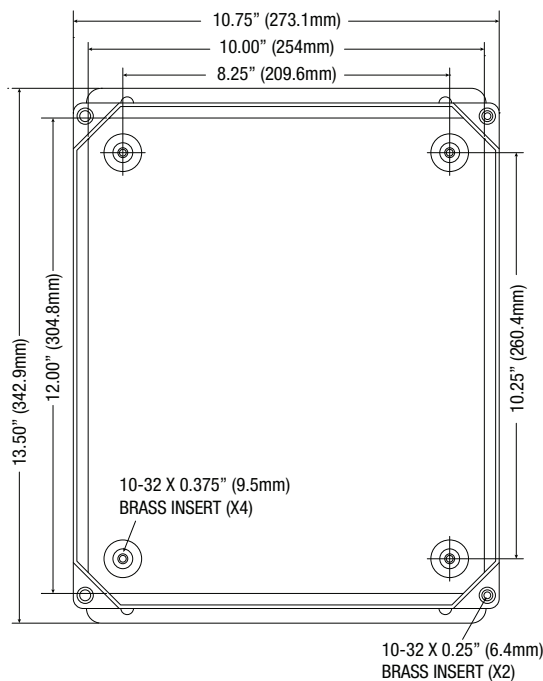
FRONT VIEW



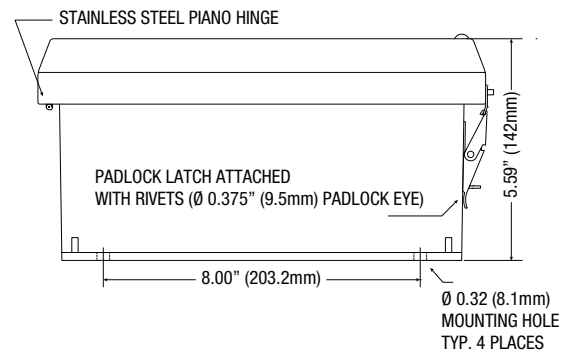
RIGHT SIDE VIEW



FRONT VIEW COVER REMOVED



END VIEW



Lifetime Warranty

Altronix Corporation | 140 58th St | Brooklyn, NY 11220 USA

phone: +1 718.567.8181 | fax: +1 718.567.9056 | email: info@altronix.com | www.altronix.com