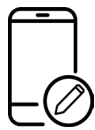


# CELLCOM PRIME7 7th GENERATION

## Advanced Cellular Telephone Entry System

**Never miss a visitor/caller, this unit calls your home phone or mobile on roll-over when a visitor presses the call button. Never miss a visitor/caller, this unit calls your cellphone or landline on roll-over when a visitor presses the call button.**



Store up to 4 notification phone numbers to receive an SMS (customizable) when relay is triggered etc



2x Relays.



FOTA – Upgrade firmware via SMS.



Ability to set Do-not-disturb times.



Dynamic APN – Automatically detects & sets APN.



Set automatic gate open & close times.



Proximity card access.



Trigger, latch and unlatch SMS replies.



Issue time-restricted keypad codes.

Check out our telecom website for SIM card options:

[aesglobaltelecom.com](http://aesglobaltelecom.com)



| DETAILS                           |     |                   |                                     |
|-----------------------------------|-----|-------------------|-------------------------------------|
| Dial Out Numbers                  | 4   | Relays            | 2                                   |
| Permanent Codes/cards             | 250 | Relay Type        | N/C and N/O                         |
| Time Restricted Codes/cards       | 250 | Relay Load        | 2 amps, 24v ac max                  |
| Temporary Codes/cards             | 50  | Power Consumption | 300mA on dial out, 2amp peak demand |
| Automatic Trigger Events per Week | 50  | Modem Models      | 4G EU, 4G USA, 4G AUS/NZ            |
| Caller ID Numbers                 | 250 | Power Supply      | 24v dc (24v dc 2A adaptor included) |
| Time Restricted Caller ID Numbers | 250 | Prox model        | 125 khz                             |



### AES PRO APP

The ideal app for **installers**, offering the ability to program intercoms across multiple sites and including additional features.



### AES HOME APP

The user-friendly option allows the **end user** to program their AES intercom conveniently.

### Kits & Part Numbers

Each kit contains, a speech panel, power supply, install manual, sim card options, prox cards and an antenna.



**IMPERIAL MODELS** – Sleek all-black panels.

**PRIME7-IBPK-US**

All black panels with white lighting.



**PEDESTAL MODELS**

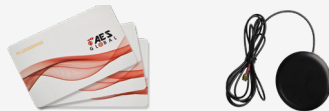
**PRIME7-PBPK-US**



**ARCHITECTURAL MODELS** – Stylish panels with backlighting.

Black/steel panels with blue lighting.

**PRIME7-ABPK-US**



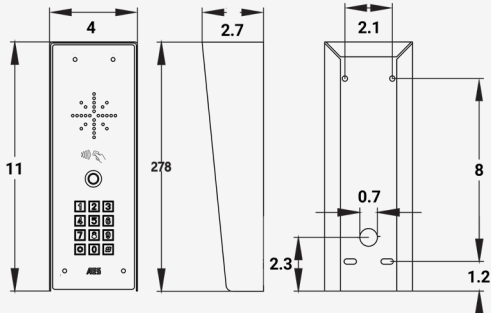
**PRIME7-PSPK-US**

Stainless Steel

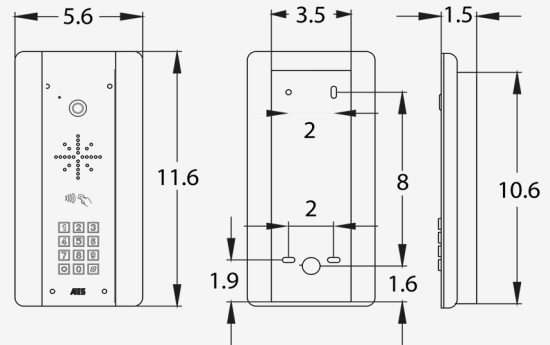


## PRODUCT DIMENSIONS

PRIME7 - IMPERIAL WITH KP & CARD READER



PRIME7 - ARCHITECTURAL WITH KP & CARD READER



PRIME7 - PEDESTAL UNIT

