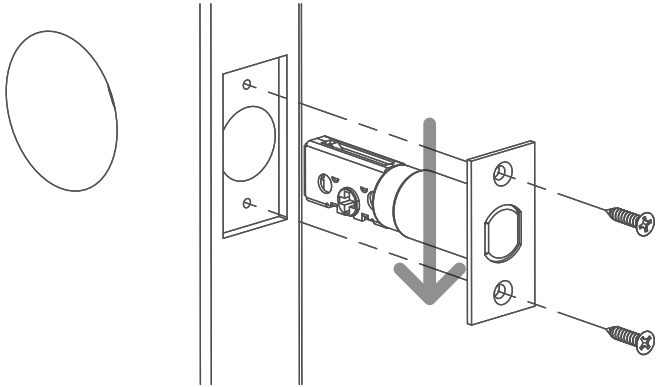


INSTALLATION INSTRUCTIONS

801-317-8802 | www.support.pdk.io



1. Prepare Door & Install Latch

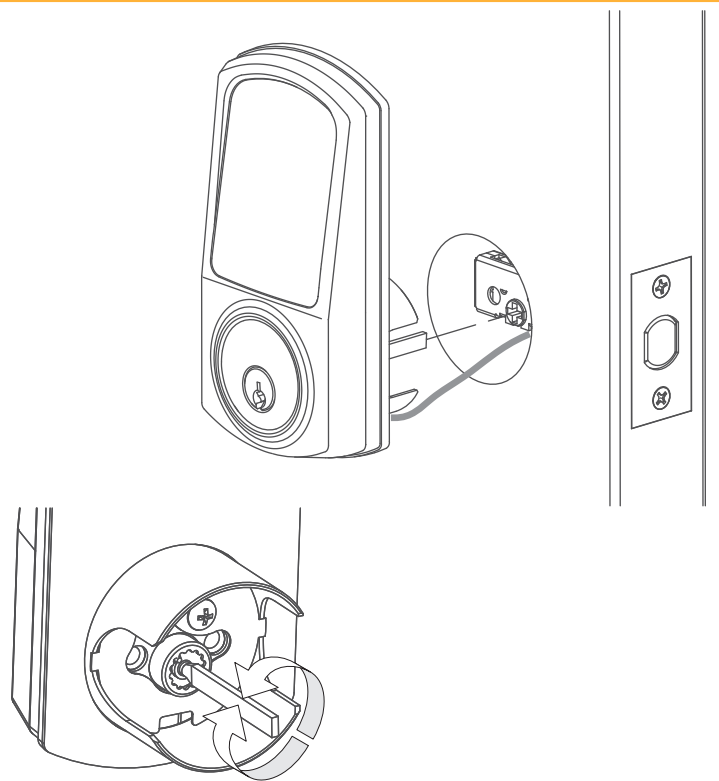
1. Prepare the door according to the template.
2. Retract the deadbolt.
3. Install the adjustable latch with the cross slot for the tailpiece towards the bottom.
4. Secure with two small combo screws.

2. Install Outside Trim

Install the escutcheon/chassis assembly from the outside of the door, feeding the reader wire through the chassis hole in the door, under the latch.

Left Hand Door: Rotate the tailpiece clockwise until it stops in the vertical orientation.

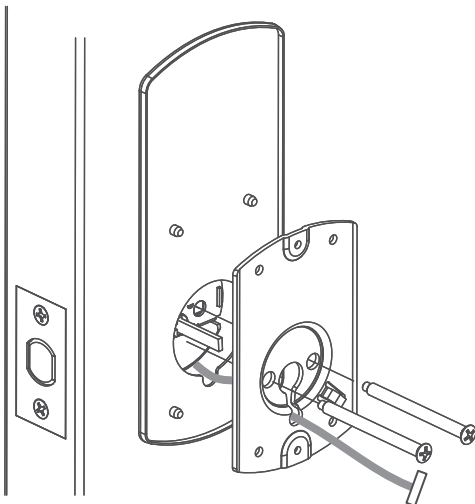
Right Hand Door: Rotate the tailpiece counter-clockwise until it stops in the vertical orientation.



3. Install Gasket & Inside Mounting Plate

1. Route the wire through the slot in the bottom of the gasket and mounting plate.
2. Install the rubber gasket and inside mounting plate, and secure with two pan head screws.

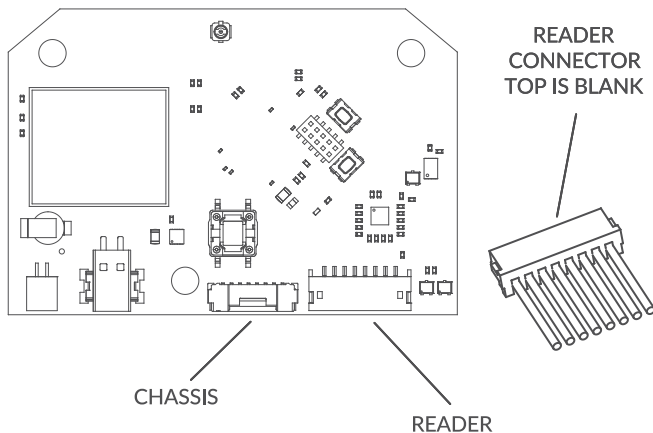
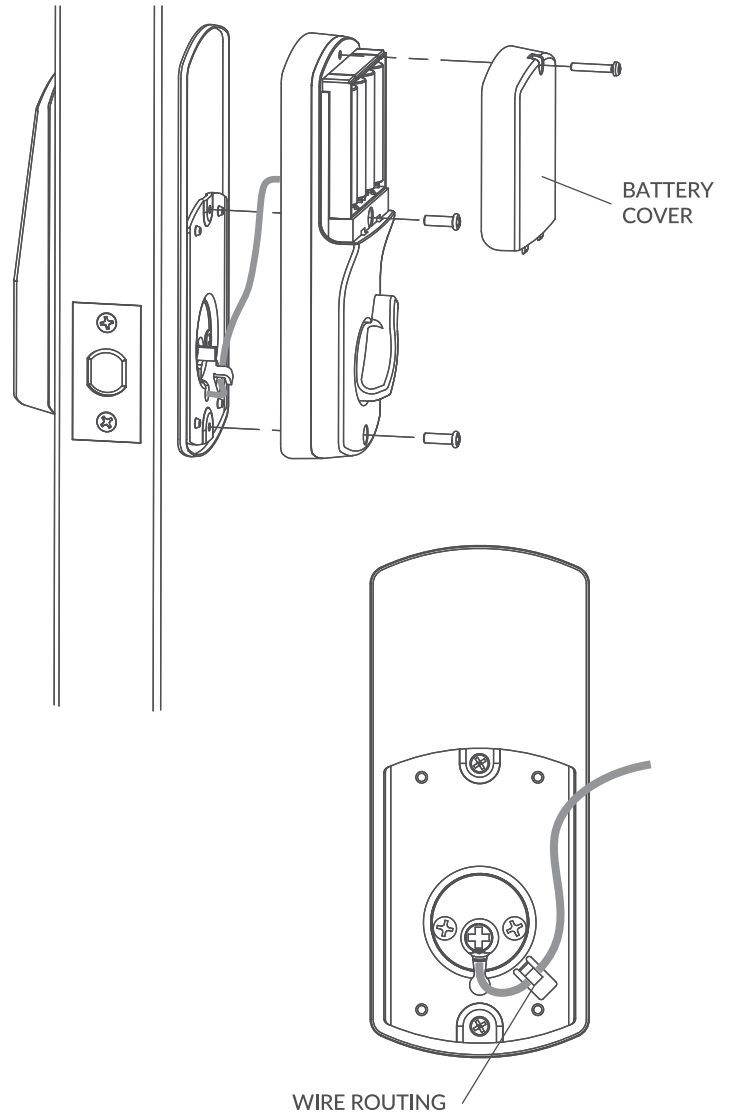
CAUTION: Do not overtighten screws



INSTALLATION INSTRUCTIONS

4. Install Inside Trim & Batteries

1. Plug the reader wire into the socket on the control board on the back of the escutcheon.
2. Route wire through the hook in the mounting plate, and install escutcheon onto the door.
- Take care to keep from pinching wire.
3. Verify that the thumb turn properly operates the deadbolt latch smoothly.
4. Secure the escutcheon with two pan head screws.
5. Install batteries and the battery cover with a pan head screw.

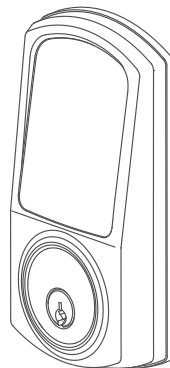


5. Calibrate Lock

Before the lock can be used, it must be calibrated. After you put the batteries in the lock, the LED lights will flash red twice every 3 seconds. This indicates that the lock is not yet calibrated. Follow either of these methods to calibrate your lock:

Method One:

1. Fully retract the bolt.
2. Double tap any physical PDK Red Credential.
The LED will flash yellow.
3. Fully extend the bolt.
4. Fully retract the bolt.



Method Two

1. Fully retract the bolt.
2. Input the PIN 387492#
The LED will flash yellow.
3. Fully extend the bolt.
4. Fully retract the bolt.

After successful calibration, the lock will flash a green light and beep twice.