

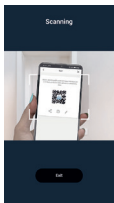
Opyn-Multi

IP Multi-Apartment Telephone System

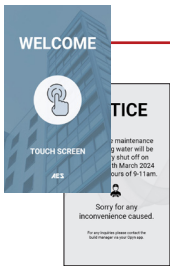
The Opyn-multi Intercom is an android-based system with a touch-screen experience. With a 7-inch LCD display, the system is capable of many interactive aspects. The Opyn-multi will be available as an IP system with LAN cable required for internet connection or 4G access through a compatible SIM card.



Facial recognition unlocking for quick and effortless access.



QR code unlocking with options for timed or temporary access.



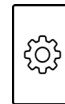
Option to add multiple screensavers, displaying up to 3 that rotate every 30 seconds (9:16 ratio).



Visitors call an apartment from home screen.



7" IPS LCD Display. RES: 600x1024.



Customise, screen brightness & volume/tones/alarm settings.



Nightvision LED strip.



Tamper Alarm.



Ability to integrate IP cameras.



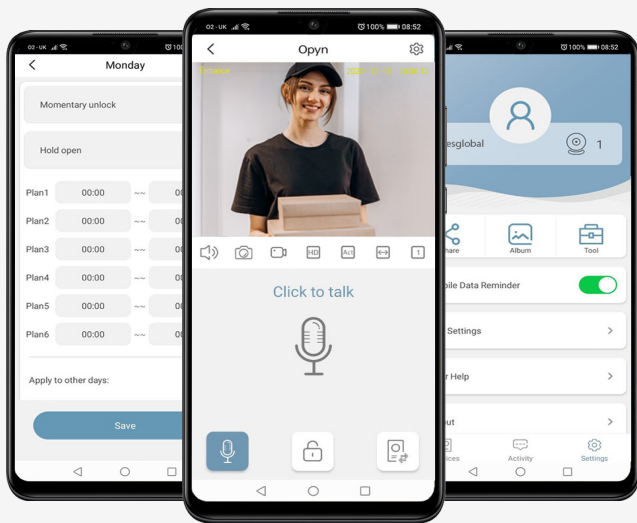
2x Relays.

Details			
Keypad Codes / Prox cards & tags	10,000 Each	Relays	2
QR Codes	10,000	Relay Type	N/C and N/O
Facial Recognition	10,000	Relay Load	3a, 30v DC/250AC
Activity Log	30 days (Cloud Storage)	Power Consumption	12V MAX - 1.58A, 48v Max - 0.40A
Max Users (Share device via app, qr or link)	Unlimited	Power Supply	12-15v DC / 48V POE (802.3AF)
ETHERNET (IEEE 802.3)	Yes	Camera	2 Megapixels
Operation Temperature	-40 to +65	Display Resolution	HD-1080P, SD-720P, LD-640*360P
IP Rating	IP65	Night Vision	IR CUT, Infrared LED
Protocol	Wiegand 26 & 34	Frequency	13.56Mhz (MIFARE & NFC)



Management Portal.

- Create and manage sites all in one place.
- Set up users and assign each panel and user to their respective "sites/buildings".
- Adjust roles & permissions for different types of users.
- Business Park setup option and management.



AES OPYN APP.

The AES Opyn mobile app is essential for panel users. It lets you manage keypad codes, facial IDs, upload profile pictures, invite users, activate locks, and more. Key features are outlined below.



Scan QR code unlock. Ability to set validity time & the number of uses or make both unlimited.



View and talk to caller via app, plus view live camera feed.



Image/Video download.



Activity Log.

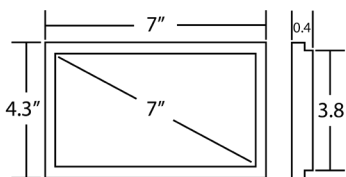


OPYN-MON

IP - Touch Screen Monitor. The Opyn monitor can be purchased as an added accessory to all kits.

- Wall mountable touch screen monitor (1024x600 Resolution), compatible with the Opyn range.
- 7 Inch IPS Screen.
- SIP Integration.
- IP Camera Integration.
- Android App Integration.
- Wi-Fi & Ethernet connections.

A desk mount bracket is available. (Sold separately)



OPYN-MON-DESK

4G Kits & part numbers

The system is available in two different appearances, "Flush Mount" or "Surface Mount". 4G units come with a built-in 4G modem allowing the use of a SIM card to give the system a network connection.

OPYN-MULTI-4G-IB

The kit includes a **surface-mount** black video call point with touchscreen display, a power supply, built in 4G modem, and SIM card options.

Works with our multi network AESIM.

aesglobaltelecom.com



OPYN-MULTI-4G-FB

The kit includes a **flush-mount** black video call point with touchscreen display, a power supply, built in 4G modem, and SIM card options.

Works with our multi network AESIM.

aesglobaltelecom.com



IP Kits & part numbers

The system is available in two different appearances, "Flush Mount" or "Surface Mount". IP units need an ethernet cable (LAN) for network connection.

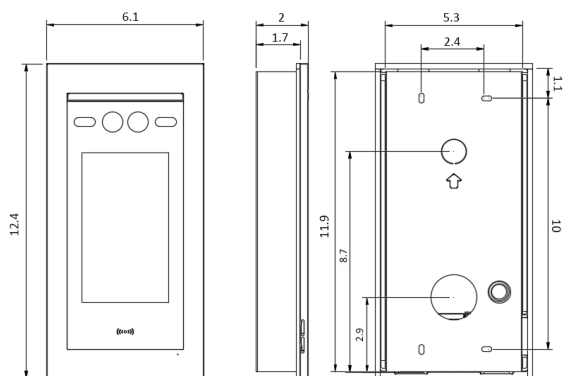
OPYN-MULTI-IP-IB

The kit includes a **surface-mount** black video call point with touchscreen display and a power supply.

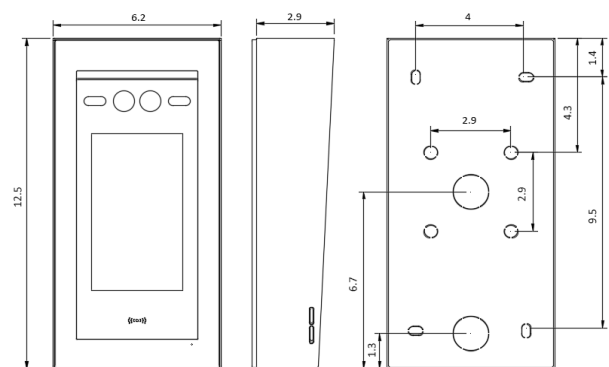


OPYN-MULTI-IP-FB

The kit includes a **flush-mount** black video call point with touchscreen display and a power supply.



Flush-mount



Surface-mount