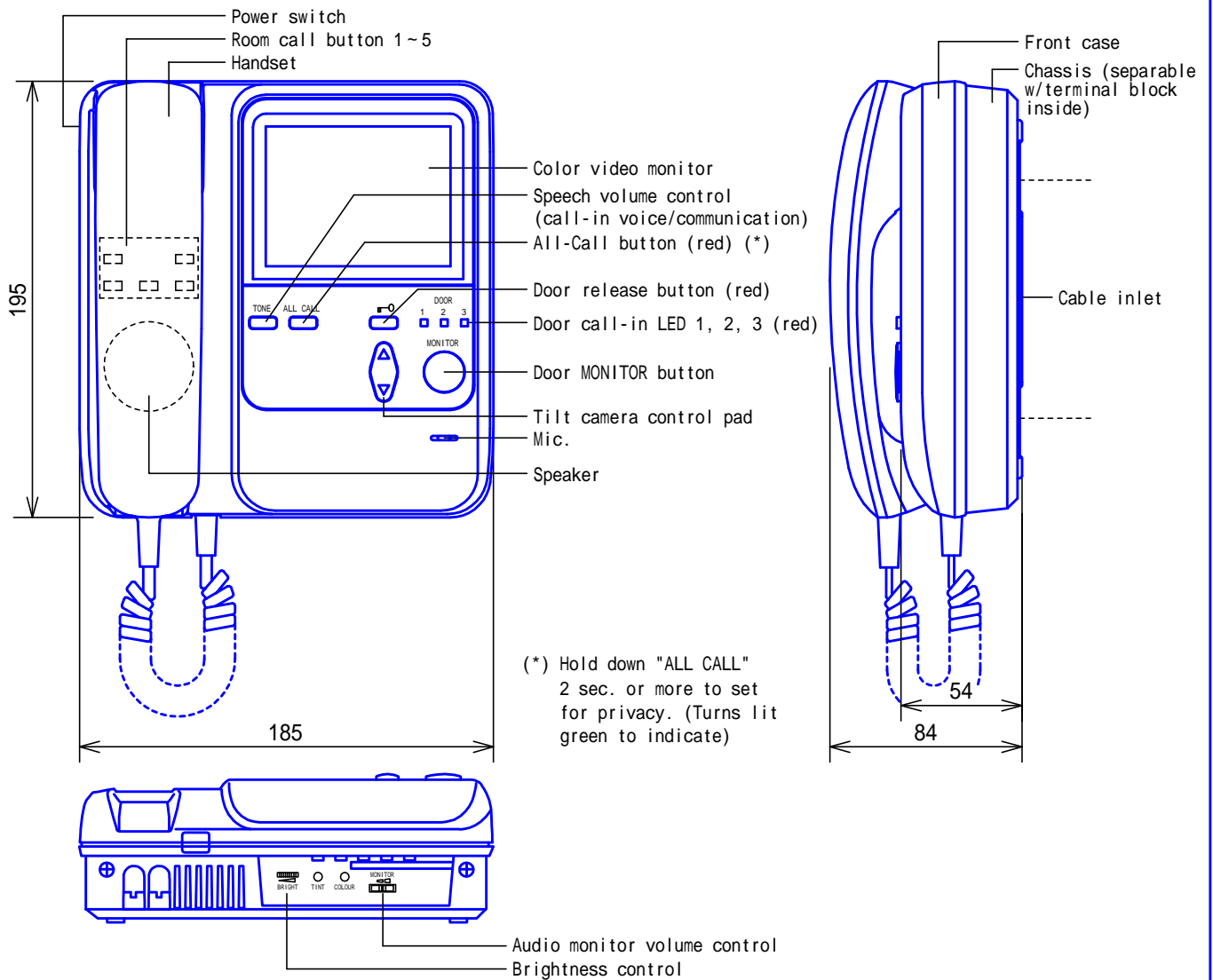
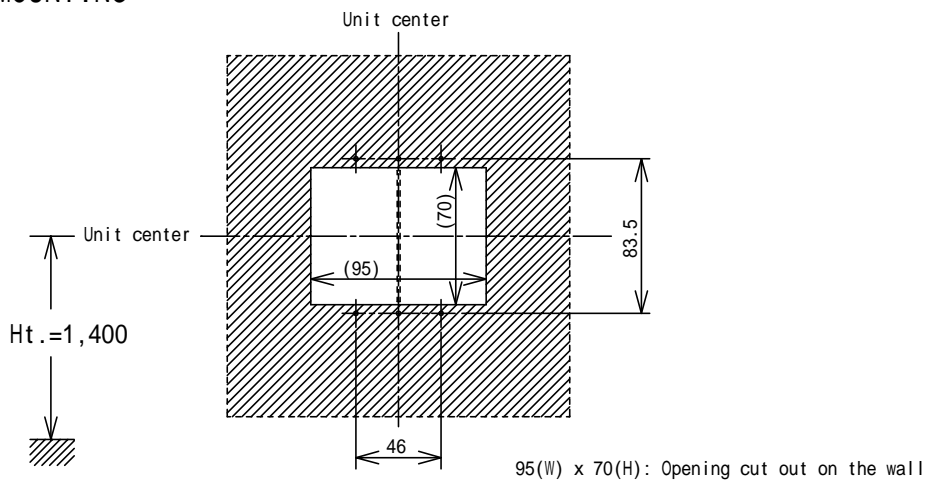


PRODUCT DRAWING

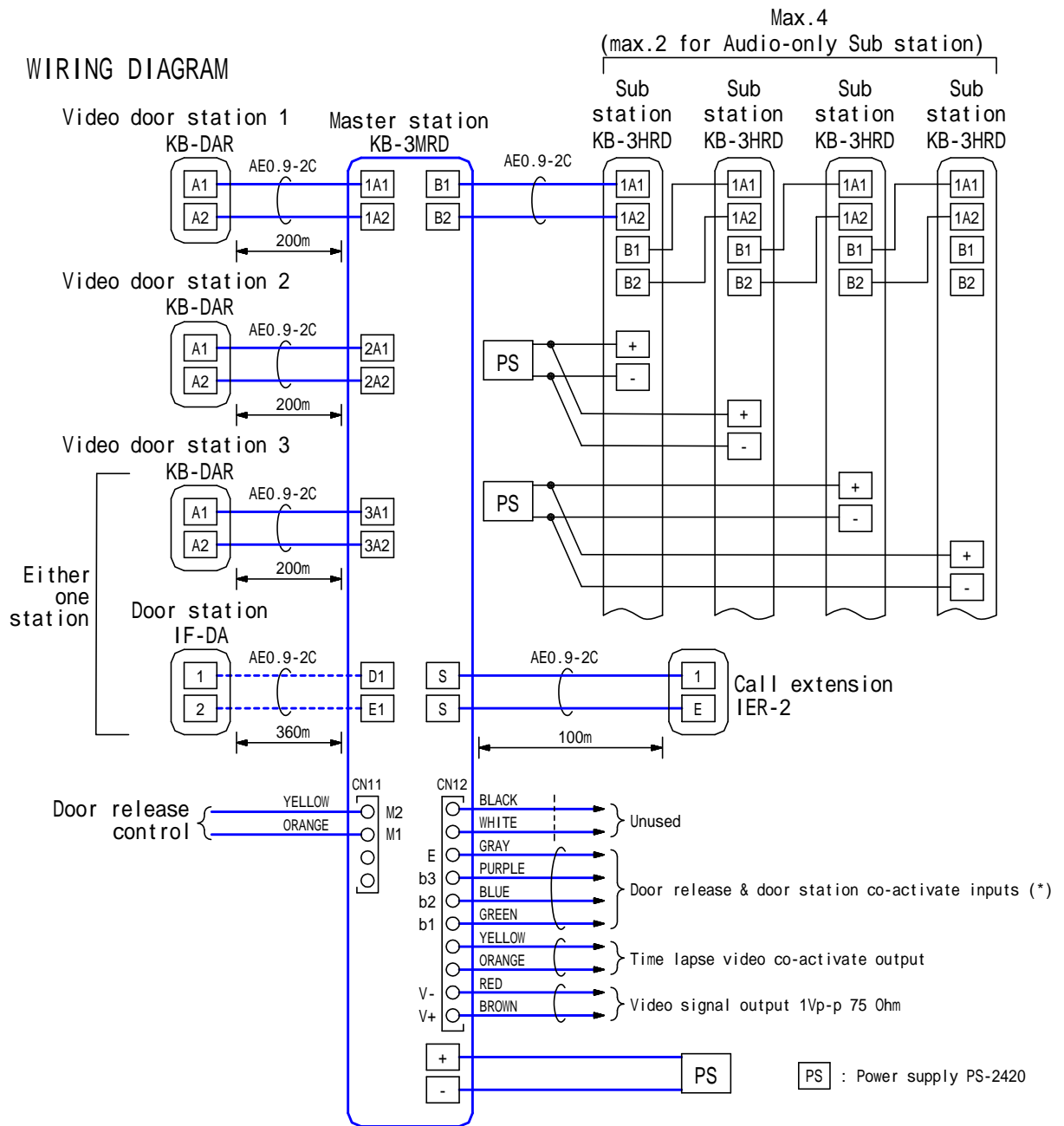


MOUNTING



DESCRIPTION MASTER STATION (Color monitor)	FIG. NAME PRODUCT DRAWING	UNIT mm	DATE 11 November, 2004
MODEL NO. KB-3MRD	FIG.NO. 40026301-1-4	PAGE 1/4	REVISION 1
			AIPHONE

WIRING DIAGRAM



(*)Terminals b1, b2, b3 and E (on CN12) and M1 & M2 (on CN11) are used for providing selective door control in conjunction with RY-3DL (for door release) or MAW-Bs (for auxiliary light on).

RESTRICTIONS

KB-3MRD is compatible with KB Series Video door station only.

Avoid installing KB-3MRD in the following locations;

- Places under direct sunlight or near heating equipment that varies in temperature.
- Places subject to iron dust, dust, oil, chemicals, hydrogen sulfide (hot spring), etc.
- Places subject to moisture and humidity extremes, such as bathroom, cellar, greenhouse, etc.
- Places where the temperature is quite low, such as inside a refrigerated area or in front of air-conditioner.
- Places subject to steam or smoke (heating or cooking surfaces)

DESCRIPTION	FIG. NAME	UNIT	DATE
MASTER STATION (Color monitor)	WIRING DIAGRAM/RESTRICTIONS	mm	11 November, 2004
MODEL NO.	FIG.NO.	PAGE	REVISION
KB-3MRD	40026301-2-4	2/4	1

AIPHONE

FUNCTIONS

Call-in from Door stations, Visualization of a caller and communication
 (Chime tone from each Door station & call-in LED steadily lit)
 Instant on audio together with image, before lifting handset to reply
 Monitor video and audio of selected door, by pressing Door MONITOR button
 Call a Sub station selectively with a Selector button. It sounds double pre-tone and call by voice direct. (All Call button flashing, turns steadily lit upon answered)
 Open voice simultaneous communication at the called station (Privacy mode can be set to prevent eavesdropping)
 All Call by pressing ALL CALL button once. It sounds single pre-tone and call by voice direct. (All Call button flashing, turns steadily lit upon answered)
 While answering door, depress and hold down Door release button to activate door strike (Door release button is steadily lit)
 Tilt the door camera up or down by pressing top or bottom of Tilt control pad.
 Adjust chime tone volume (while in standby mode).
 Adjust handset receiver volume with TONE button (while answering)

SETTING

On SET switches inside;

Chime tone cut-off for each door (SW1~3).

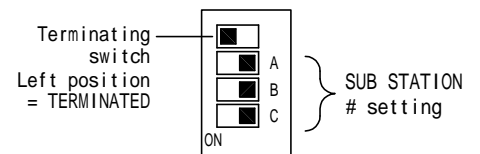
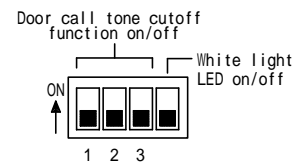
White light LED auto on or off (SW4). The LED turns on automatically when the door station is put into low light conditions.

On the SET switches inside the chassis;

Set for Station # 1~5 with three DIP switches A~C.

Terminate on the last Station with the DIP switch.

- Adjust volume of audio from a monitored door station. Can be cut off.
- Adjust brightness of monitor screen.
- Place the station in privacy mode. Press ALL CALL button for 2 sec. or more (while in standby mode). Operate same way to release.



SPECIFICATIONS

Power source	DC 24V. (Use a Power supply PS-2420.)
Current consumption	710mA (max.). 230mA in standby.
Video-monitor	4 inch TFT color LCD
Pixels	110,000 Pixels
Type of communication	Handset simultaneous communication (Open voice simultaneous when replying to internal call)
Station capacity	Video door station; 3 units. Audio door station; 1 unit. Total; 3 units (max.). Inside sub stations; 4 monitor subs. 2 audio subs. Total; 4 units (max.) Call extension; 1 unit.
Mounting	Wall-mount
Housing	Fire-retardant ABS plastic
Electrical box	2-gang box
Weight	1kg (approx.)
Unit color	Snow white
Call tone	Door 1; 4-tone chime. Door 2; 2-tone. Door 3; 8-tone. Inside stations; Selective call ...Voice direct after two pretones. All-Call ... Voice direct after single pretone.

DESCRIPTION MASTER STATION (Color monitor)	FIG. NAME SPEC. /FCN. /SETTING	UNIT mm	DATE 10 November, 2004
MODEL NO. KB-3MRD	FIG.NO. 40026301-3-4	PAGE 3/4	REVISION 1

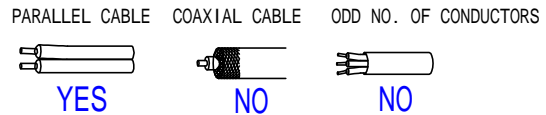
AIPHONE

RESTRICTIONS ON WIRING

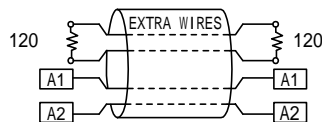
For wiring, it is recommended to use a single vinyl jacketed cable with PE(polyethylene) insulation.

The following cables can not be used;

- Coaxial cable
- 2-pair quad V domestic cable
- Cable with conductors in odd number



Besides 2-conductor cable, when using a cable with extra wires, terminate with a 120 Ohm at both ends of an extra pair(s). (Otherwise, the system does not operate properly, affecting seriously on communication).



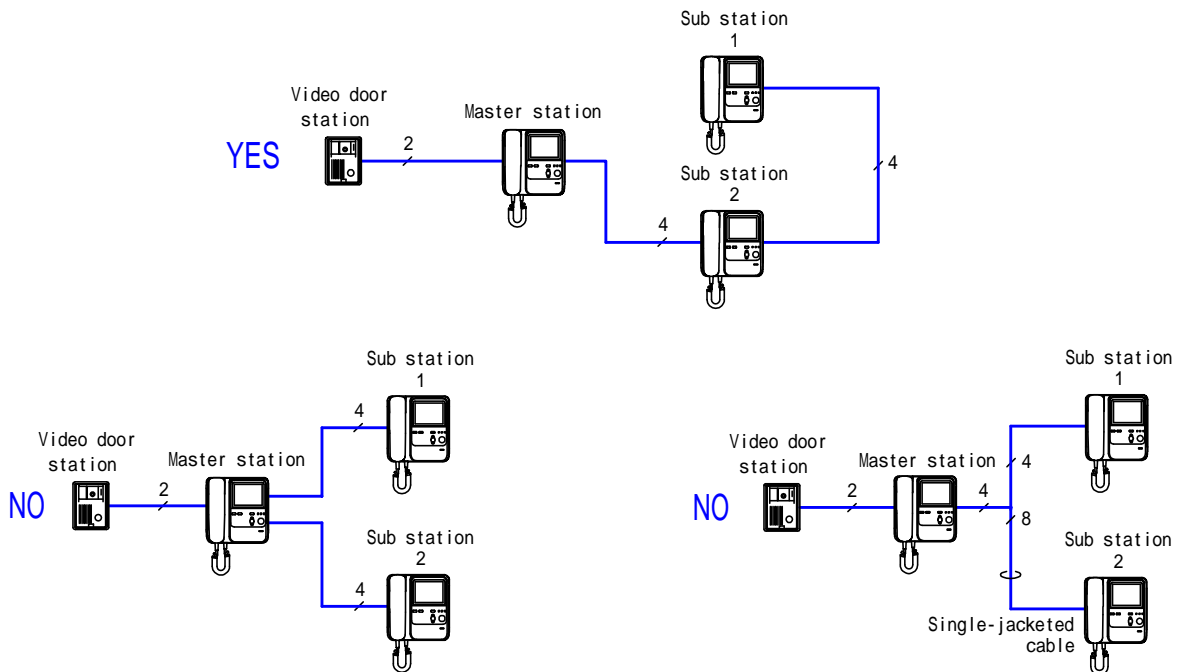
Do not run intercom wires and door release wires in a same jacketed cable, and keep two cables more than 10cm away from each other. (The door station can not complete a call)

Keep the intercom wires more than 30cm away from AC power lines.

(It causes noise in communication and malfunction)

When using the existing cable run, the system may not work properly by type of wires. In that case, it becomes necessary to install a new cable.

The Master & Sub stations shall be wired in a Monitor-to-Monitor manner (like a line drawn with a single brush). (System does not operate properly, deteriorating image quality.)



* Do not run a separate cable from Master to each Sub station.

* Video IN & OUT wires can not be in the same jacketed cable.

The same holds true on Audio sub station KB-3SD.



DESCRIPTION MASTER STATION (Color monitor)	FIG. NAME RESTRICTIONS ON WIRING	UNIT mm	DATE 11 November, 2004
MODEL NO. KB-3MRD	FIG.NO. 40026301-4-4	PAGE 4/4	REVISION 1
			AIPHONE