

AIPHONE

JP-4MED

HANDS-FREE COLOR VIDEO INTERCOM MASTER STATION

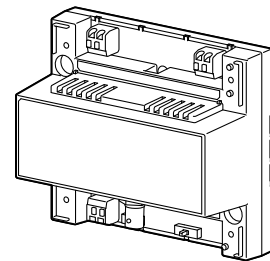
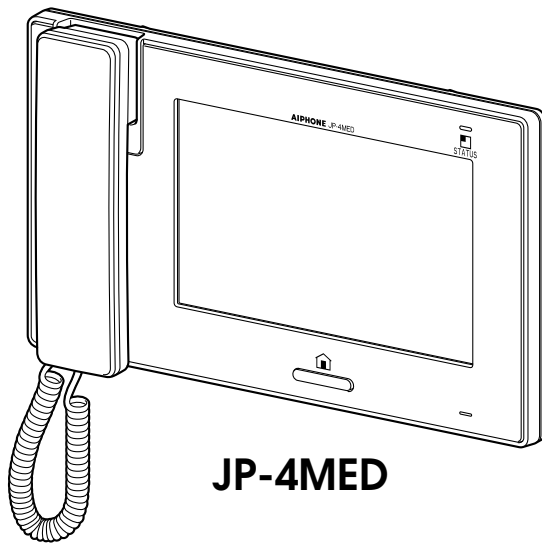
JPW-BA

LONG DISTANCE ADAPTOR

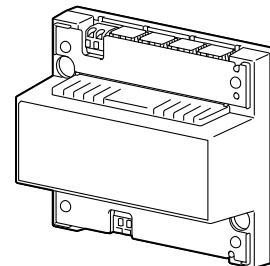
JP-8Z

DISTRIBUTION ADAPTOR

INSTALLATION MANUAL



JPW-BA



JP-8Z



Thank you for selecting Aiphone for your communication and security needs. Please read this manual carefully before installation, and keep it in a safe place for future reference. Also read the installation manuals for the other devices included in your system.

Please note that the illustrations in this manual may differ from the actual product.

CONTENTS

PRECAUTIONS	3	MOUNTING	13
WARNING	3	Mounting locations	13
CAUTION	3	Mounting procedure	14
GENERAL PRECAUTIONS	3	SETTINGS AFTER	
NOTICES	3	INSTALLATION	16
PACKAGE CONTENTS	4	Setting list.....	16
CONNECTIONS	4	[INSTALL] menu	16
Notes about handling cables	4	Setting for inputs and outputs.....	17
Wiring distance	5	Door release settings	
Selecting power supply method	6	[SET DOOR RELEASE].....	18
Basic system connection	8	Initializing station [INITIALIZE]	19
Expanding the system	10	Identifying software version	
Connecting external devices		[SOFTWARE VERSION]	19
(using the option connectors)	12	TECHNICAL DATA AND	
		PRECAUTIONS	19
		WARRANTY	Back cover

Term definition

This manual uses "residential station" as the common term for "master station" and "sub master station".

PRECAUTIONS

⊘ Prohibited

⊘ Do not dismantle unit

⊘ Keep unit away from water

ⓘ General precautions

⚠ WARNING

Negligence could result in death or serious injury.

- ⊘ 1. Do not dismantle or alter the unit. Fire or electric shock could result.
- ⊘ 2. Keep the unit away from water or any other liquid. Fire or electric shock could result.
- ⊘ 3. High voltage is present internally. Do not open the case. Electric shock could result.
- ⊘ 4. Do not connect any non-specified power source to the +, - terminals. Also, do not install two power supplies in parallel to a single input. Fire or damage to the unit could result.
- ⊘ 5. Do not connect any terminal on the unit to an AC power line. Fire or electric shock could result.
- ⊘ 6. Do not use power supply with a voltage other than specified. Fire or electric shock could result.
- ⊘ 7. Keep AC cord from being marred or crushed. If the AC cord is damaged, fire or electric shock could result.
- ⊘ 8. Do not plug or unplug unit with wet hands. Electric shock could result.
- ⊘ 9. Insert AC plug completely and securely into AC outlet. Otherwise, fire or electric shock could result.
- ⓘ 10. Periodically check for and remove dust on the power plug. If dust is left, it could cause the power plug to heat up, resulting in fire.
- ⊘ 11. Do not put any metal or flammable material into the unit through the openings. Fire, electric shock, or unit trouble could result.

⚠ CAUTION

Negligence could result in injury or damage to property.

- ⊘ 1. Do not install or make any wire terminations while power supply is plugged in. It can cause electrical shock or damage to the unit.
- ⓘ 2. When mounting the unit on a wall, install the unit in a convenient location, but not where it could be jarred or bumped. Injury could result.
- ⓘ 3. Before turning on power, make sure wires are not crossed or shorted. Fire or electric shock could result.
- ⊘ 4. Do not install the unit in locations subject to frequent vibration or impact. It may fall or tip over, resulting in damage to the unit or personal injury.
- ⓘ 5. For power supply, use Aiphone power supply model specified for use with system. If non-specified product is used, fire or malfunction could result.
- ⊘ 6. Do not apply high pressure on the screen. If fractured, injury could result.
- ⊘ 7. If LCD is punctured, do not touch the liquid crystal inside. Inflammation could result. If contact should occur, flush or rinse area with water thoroughly and consult your doctor.
- ⊘ 8. Do not put anything on the unit or cover the unit with cloth, etc. Fire or unit trouble could result.
- ⊘ 9. Do not install the unit in any of the following locations. Fire, electric shock, or unit trouble could result.
 - * Places under direct sunlight or near heating equipment that varies in temperature.
 - * Places subject to dust, oil, chemicals, hydrogen sulfide (hot spring).
 - * Places subject to moisture and humidity extremes, such as bathrooms, cellars, greenhouses, etc.

- * Places where the temperature is quite low, such as inside a refrigerated area or in front of an air conditioner.
- * Places subject to steam or smoke (near heating or cooking surfaces).
- * Where noise generating devices such as dimmer switches or inverter electrical appliances are closeby.

- ⓘ 10. Be sure to perform a call test or check the volume with the handset on the hook. If you operate the hook switch with the handset on your ear, a sudden call etc. may arrive causing damage to your ear.
- ⓘ 11. The unit must be installed and wired by a qualified technician.

GENERAL PRECAUTIONS

1. Keep the unit more than 1 m (3.3') away from radio or TV sets.
2. Keep the intercom wires more than 30cm (12") away from AC 100-240V wiring. AC induced noise and/or unit malfunction could result.
3. Comply with all third party manufacturing specifications that will be used with this system (sensors, door releases, etc.).
4. If it is used close to a cellular phone, the unit may malfunction.
5. The unit can be damaged if dropped. Handle with care.
6. The unit will not work during power failure.
7. In areas where broadcasting station antennas are close by, the intercom system may be affected by radio frequency interference.
8. All the units, except for door stations, are designed for indoor use only. Do not use at outdoor locations.
9. This product, providing door release, should not be used as a crime prevention device.
10. Please note the LCD panel, though manufactured with very high precision techniques, inevitably will have a very small portion of its image elements always lit or not lit at all. This is not considered a unit malfunction.
11. Environmental sound around the unit may hinder smooth communication, but this is not a malfunction.
12. The unit has audio monitoring function between residential stations. When using this function for baby monitoring, never install the unit within reach of children to prevent strangulation with coil cord or wires.


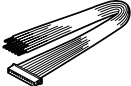
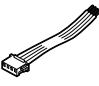
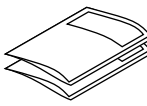
NOTICES

- We will under no conditions be liable for damage occurring due to the inability to communicate due to malfunctions, problems, or operational errors in this product.
- We will under no conditions be liable for any damages or losses resulting from this product's contents or specifications.
- This manual was created by Aiphone Co., Ltd., all rights reserved. Copying, in part or in whole, this manual without prior permission from Aiphone Co., Ltd. is strictly forbidden.
- Please note that images and illustrations depicted in this manual may differ from the actual ones.
- Please note that this manual may be revised or changed without prior notice.
- Please note that product specifications may be changed for the sake of improvement without prior notice.
- This system is not intended for life support or crime prevention. It is a supplementary means of conveying information. Aiphone will under no conditions be liable for loss of life or property which occurs while the system is being operated.

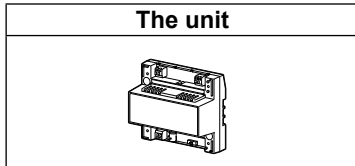
PACKAGE CONTENTS

Verify that the following parts are included.

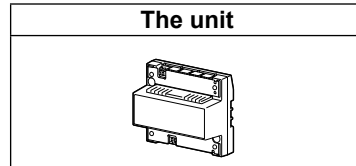
JP-4MED

The unit	12-pin option connector	4-pin option connector	Installation Manual/Operation Manual
			

JPW-BA



JP-8Z



CONNECTIONS

Notes about handling cables

* Cables and connectors are not included with the products.

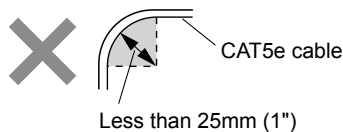
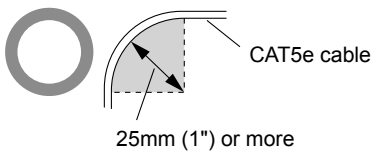
Notes on cables (for door stations, etc.)

- Use PE (polyethylene)-insulated PVC jacket cable. Parallel or jacketed 2-conductor, mid-capacitance, non-shielded cable is recommended.
- Never use individual conductors, twisted pair cable, or coaxial cable.



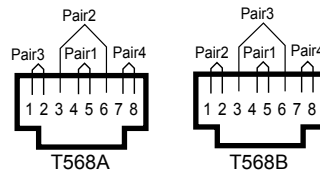
Notes on CAT5e cables (for residential stations)

- Do not bend the cables to an extent where the radius is less than 25 mm (1"). Communication failure could result.

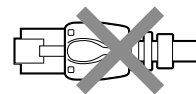


- Do not remove the CAT5e cable jacket more than necessary.
- This unit is not a computer peripheral. Do not connect it to a LAN network.

- Arrange the color code of the RJ45 connections in accordance with EIA/TIA-568A or 568B.



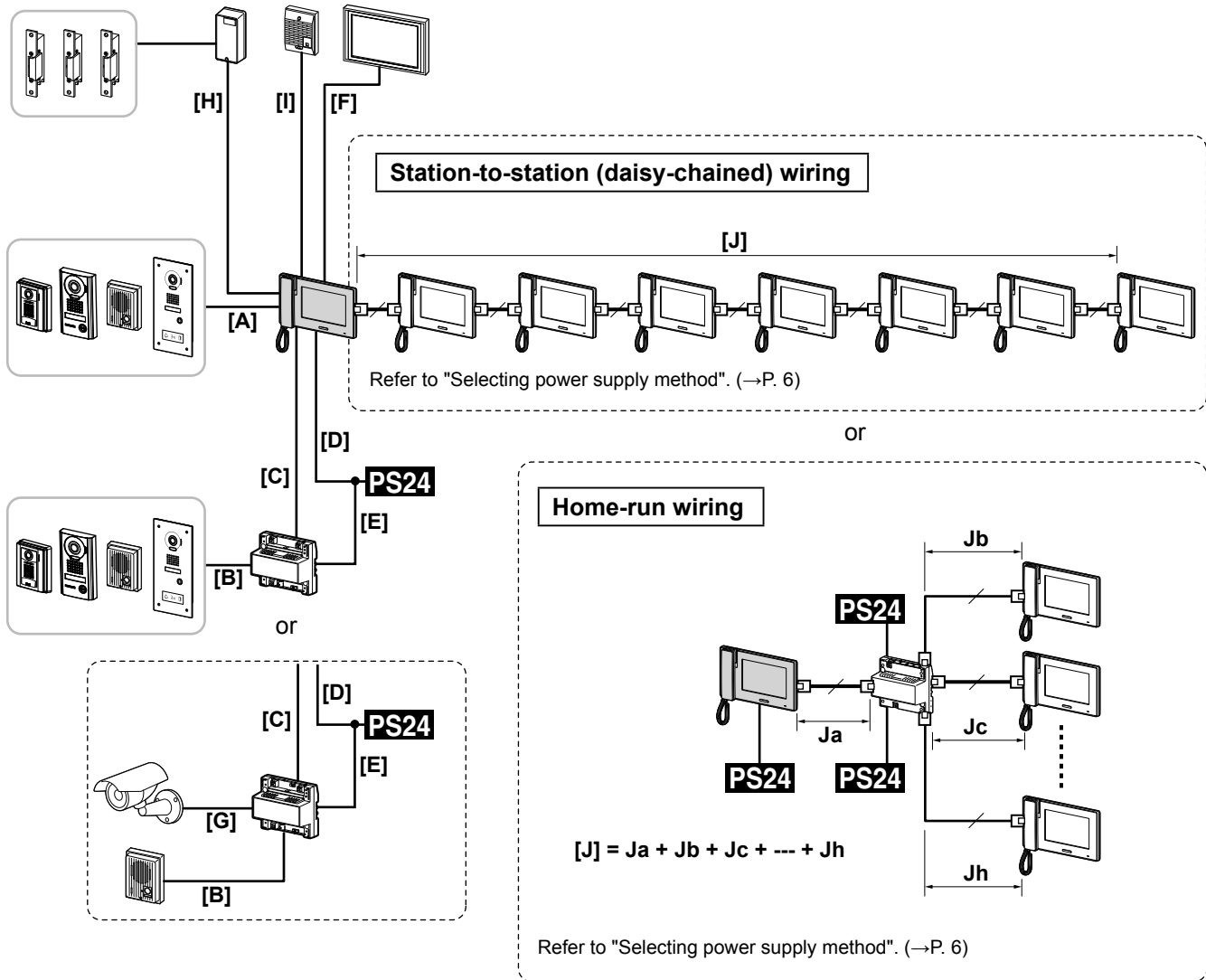
- **Be sure to check the condition of cable connections with a LAN checker before connecting with a LAN cable.**
- An RJ45 connector with a cover cannot be connected to the port for CAT5e. Use a cable without a cover.



- Do not pull or put excess strain on CAT5e cables.
- Use a straight-through cable for connecting units.

Wiring distance

* The wiring distance between the power supply and each unit differs depending on the power supply method. (→P. 6)



: Master station

: Sub master station

: CAT5e (non-shielded)

PS24 : Power supply

Wiring distance between each device

		Coaxial	CAT5e (24AWG)	Wire diameter			
				Ø0.65 mm (22 AWG)	Ø0.8 mm (20 AWG)	Ø1.0 mm (18 AWG)	Ø1.2 mm (16 AWG)
[A]	Door station - master station	-	-	50 m (165')	100 m (330')	100 m (330')	100 m (330')
[B]	Door station - long distance adaptor	-	-	100 m (330')	150 m (490')	200 m (650')	200 m (650')
[C]	Long distance adaptor - master station	-	-	50 m (165')	75 m (245')	100 m (330')	100 m (330')
[D]	Master station - power supply	-	-	5 m (16')	5 m (16')	10 m (33')	10 m (33')
[E]	Long distance adaptor - power supply	-	-	50 m (165')	75 m (245')	100 m (330')	100 m (330')
[F]	Master station - external display	3 m (10')	-	-	-	-	-
[G]	Long distance adaptor - CCTV camera	15 m (50')	-	-	-	-	-
[H]	Master station - multiple door release adaptor	-	-	50 m (165')	75 m (245')	100 m (330')	100 m (330')
[I]	Master station - optional call extension speaker	-	-	75 m (245')	100 m (330')	150 m (490')	150 m (490')
[J]	Total wiring distance of residential stations	-	300 m (980')	-	-	-	-

Selecting power supply method

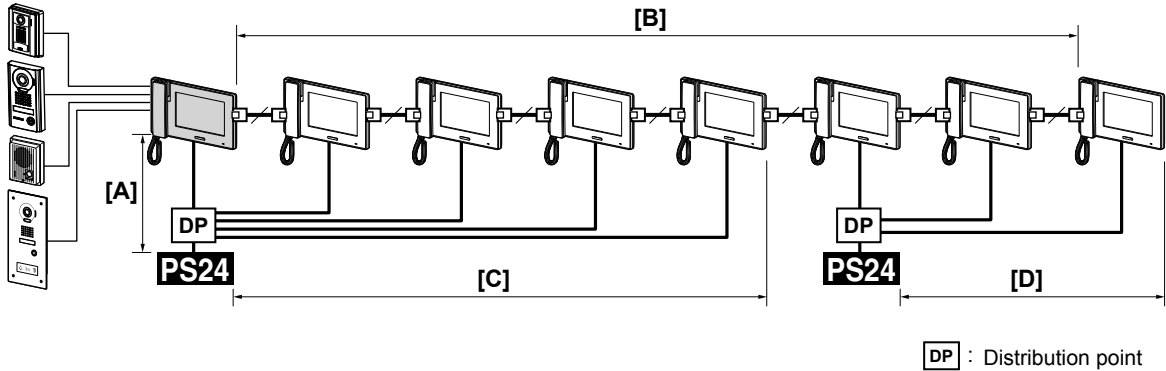
The system allows you to select from the following methods for supplying power to the system. The maximum wiring distance differs depending on the power supply method. You can also mix-and-match the methods **1** to **4**.

1 Supplying power directly to each unit from a single power supply



CAUTION
Be sure to distribute the output of the power supply close to the power supply.

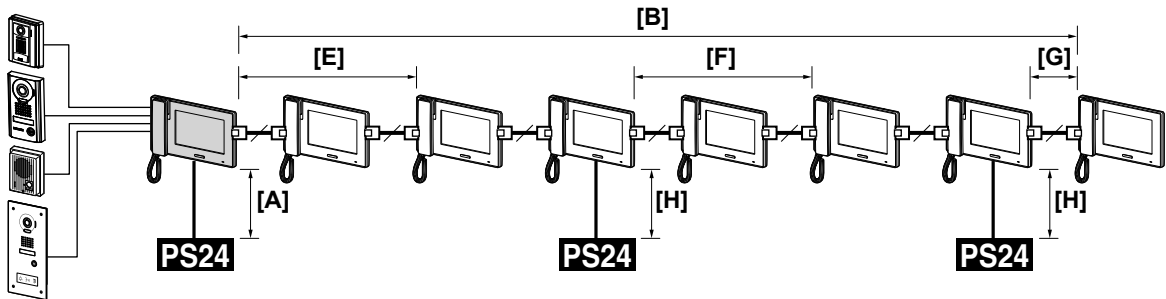
 : Master station  : Sub master station



The following chart indicates how many units can be powered by a single power supply.

Combination of units	Master station	Sub master station	Long distance adaptor
Master and sub master stations	1	4	-
Master and sub master stations with long distance adaptors	1	3	4
Sub master stations only	-	6	-

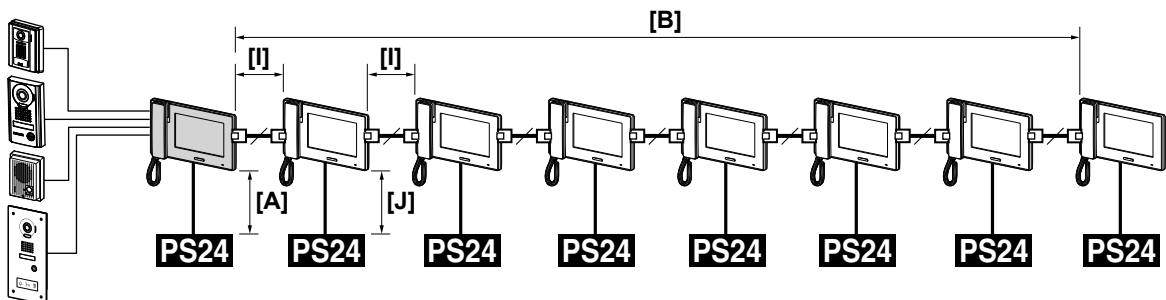
2 Supplying power to sub master stations via wiring with the master station



The following chart indicates how many units can be powered by a single power supply.

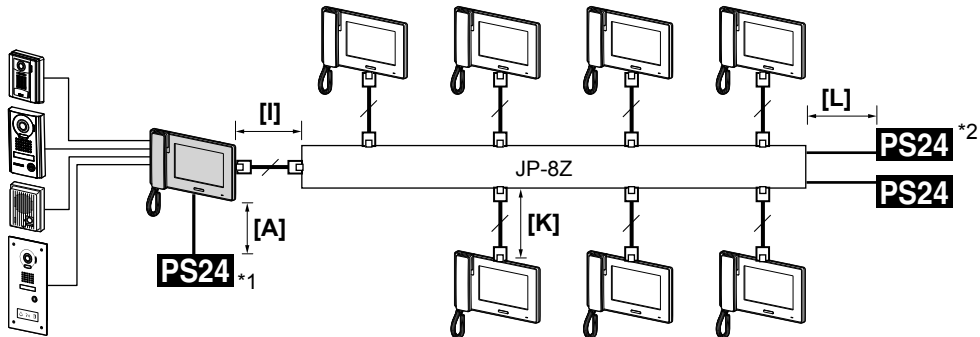
Combination of units	Master station	Sub master station	Long distance adaptor
Master and sub master stations	1	2	-
Master and sub master stations with long distance adaptors	1	2	4
Sub master stations only	-	3	-

3 Connecting a power supply to the master and each sub master station individually



4 Supplying power to sub master stations via a distribution adaptor

* The total wiring distance of residential stations is 300 m (980').

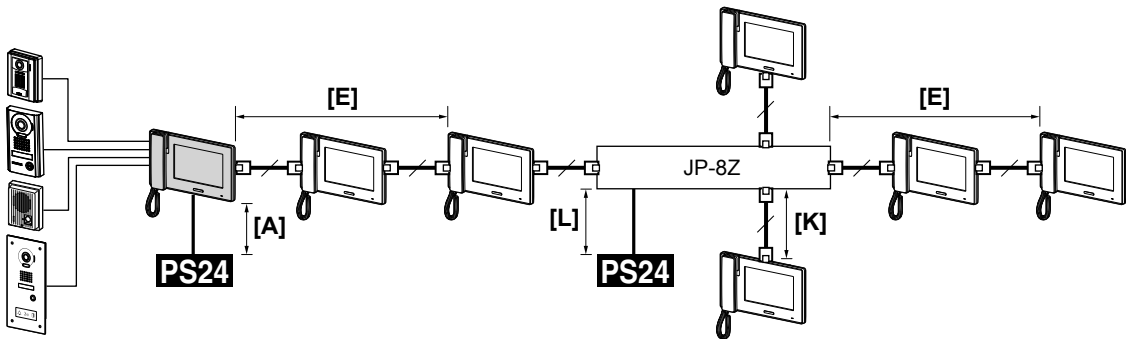


*1: The master station needs a power supply.

*2: Up to four sub master stations can be supplied with one power supply. Use two power supplies for 5 - 7 sub master stations.

5 Mix-and-match methods

* The total wiring distance of residential stations is 300 m (980').



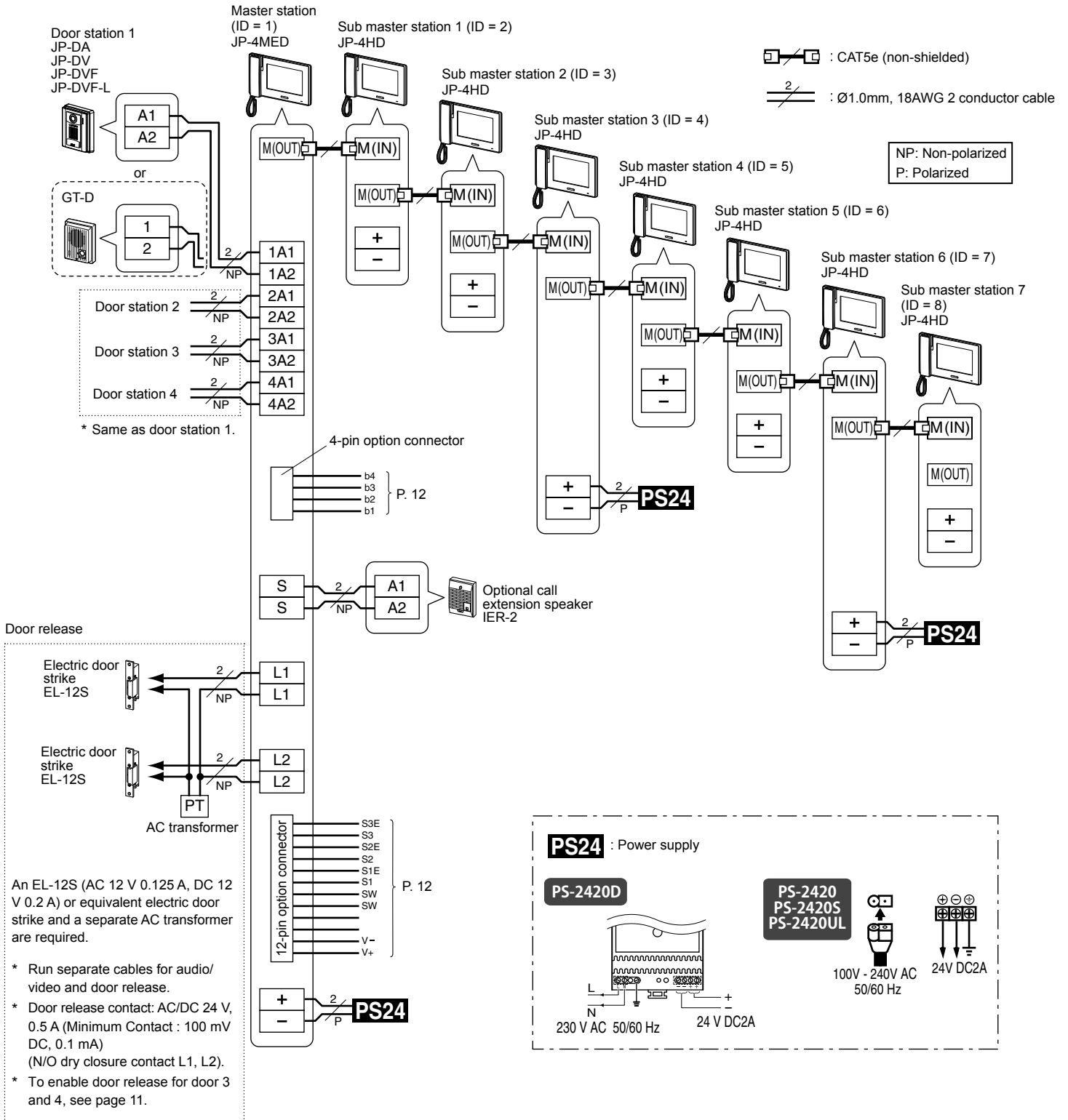
Wiring distance

	CAT5e (24AWG)	Wire diameter				Notes
		Ø0.65 mm (22 AWG)	Ø0.8 mm (20 AWG)	Ø1.0 mm (18 AWG)	Ø1.2 mm (16 AWG)	
[A]	-	5 m (16')	5 m (16')	10 m (33')	10 m (33')	-
[B]	300 m (980')	-				-
[C]	-	150 m (490')	200 m (650')	300 m (980')	300 m (980')	When powering up to one master station and four sub master stations
[D]	-	150 m (490')	200 m (650')	300 m (980')	300 m (980')	When powering up to six sub master stations
[E]	30 m (98')	-				Up to 50 m (165') when powering master and one sub master stations
[F]	30 m (98')	-				When powering up to three sub master stations
[G]	50 m (165')	-				When powering up to two sub master stations
[H]	-	5 m (16')	5 m (16')	10 m (33')	10 m (33')	When powering up to three sub master stations
[I]	200 m (650')	-				-
[J]	-	150 m (490')	200 m (650')	300 m (980')	300 m (980')	-
[K]	50 m (165')	-				-
[L]	-	5 m (16')	10 m (33')	10 m (33')	10 m (33')	-

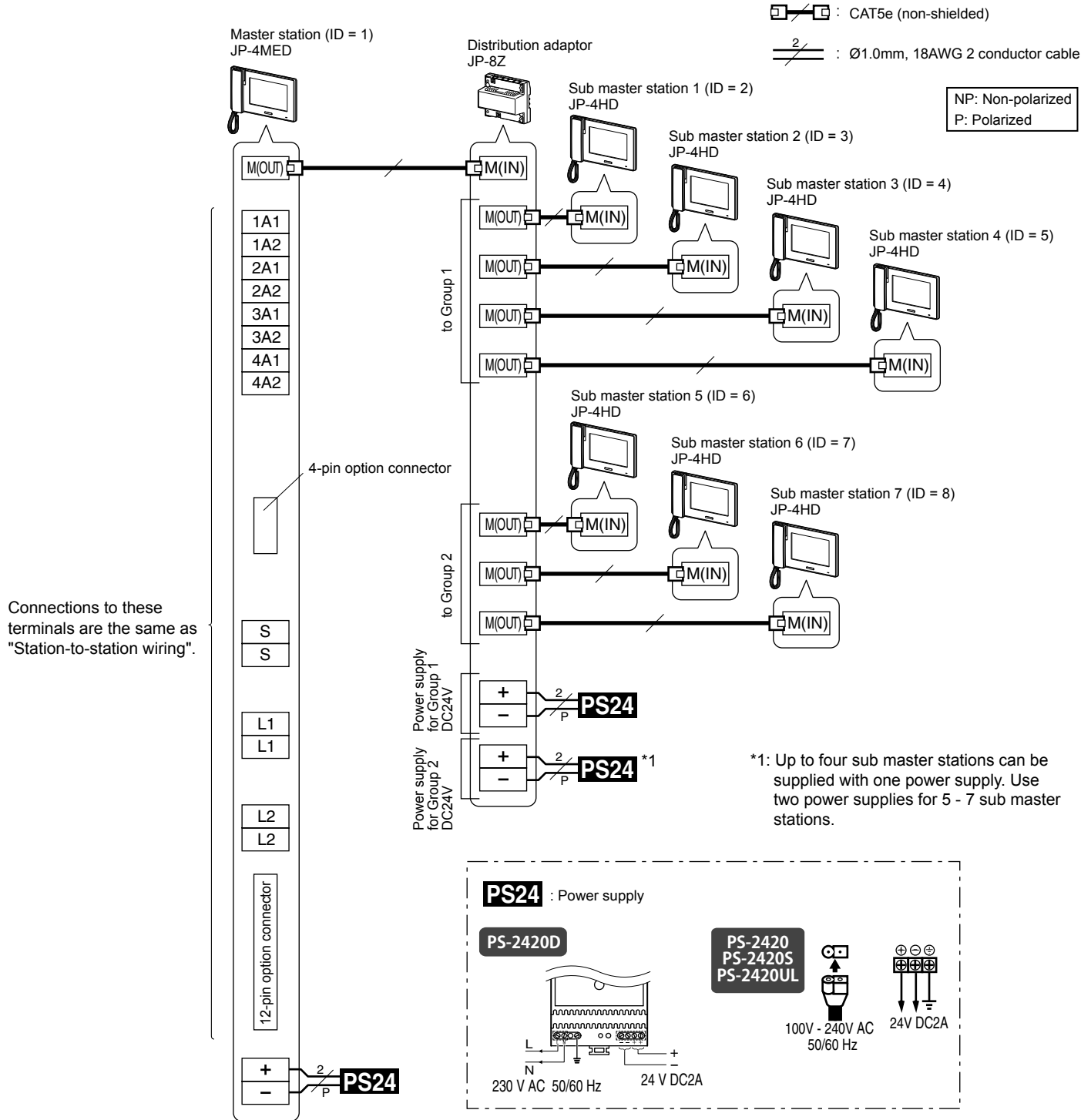
Basic system connection

This system allows 2 types of connection methods, "Station-to-station wiring" and "Home-run wiring". Select the method suitable for the application and usage of the system. Both connection methods can be combined.

Station-to-station (daisy-chained) wiring



Home-run wiring



NOTES:

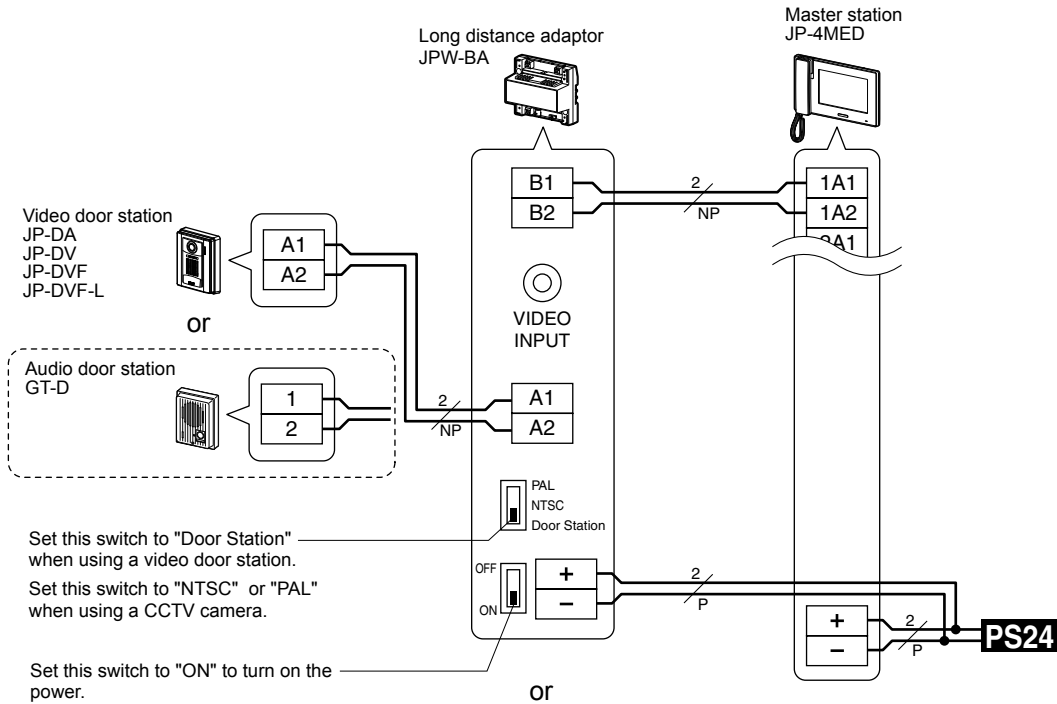
- The power supply method shown in the above figures is an example. You can select a power supply method suitable for this system from various methods. (→P. 6)
- If a message "WIRING MALFUNCTION CHECK FOR SHORT BETWEEN A1 - A2." is displayed, a short exists within the door station wires and the unit will not operate. Check the wires.
- Do not use the unused terminals and ports for other purposes.
- In order to prevent miswiring, label both ends of each cable with the unit and terminal names to which they are to be connected.
- For connecting other manufacturers' products, refer to the instruction manuals for those products.
- The positions of the terminals on the above illustrations differ from the actual product. This is to simplify the diagram.
- This unit is not a computer peripheral. Do not connect it to a LAN network.

Expanding the system

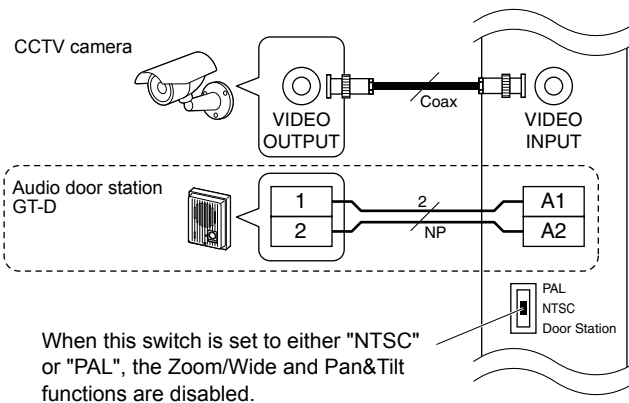
The following are examples of additional connections to expand the system.

■ Extending the distance between the master station and a door station

Connect a door station to the master station via JPW-BA, a long distance adaptor.

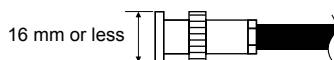


Connecting a third-party CCTV camera and an audio door station in place of a video door station



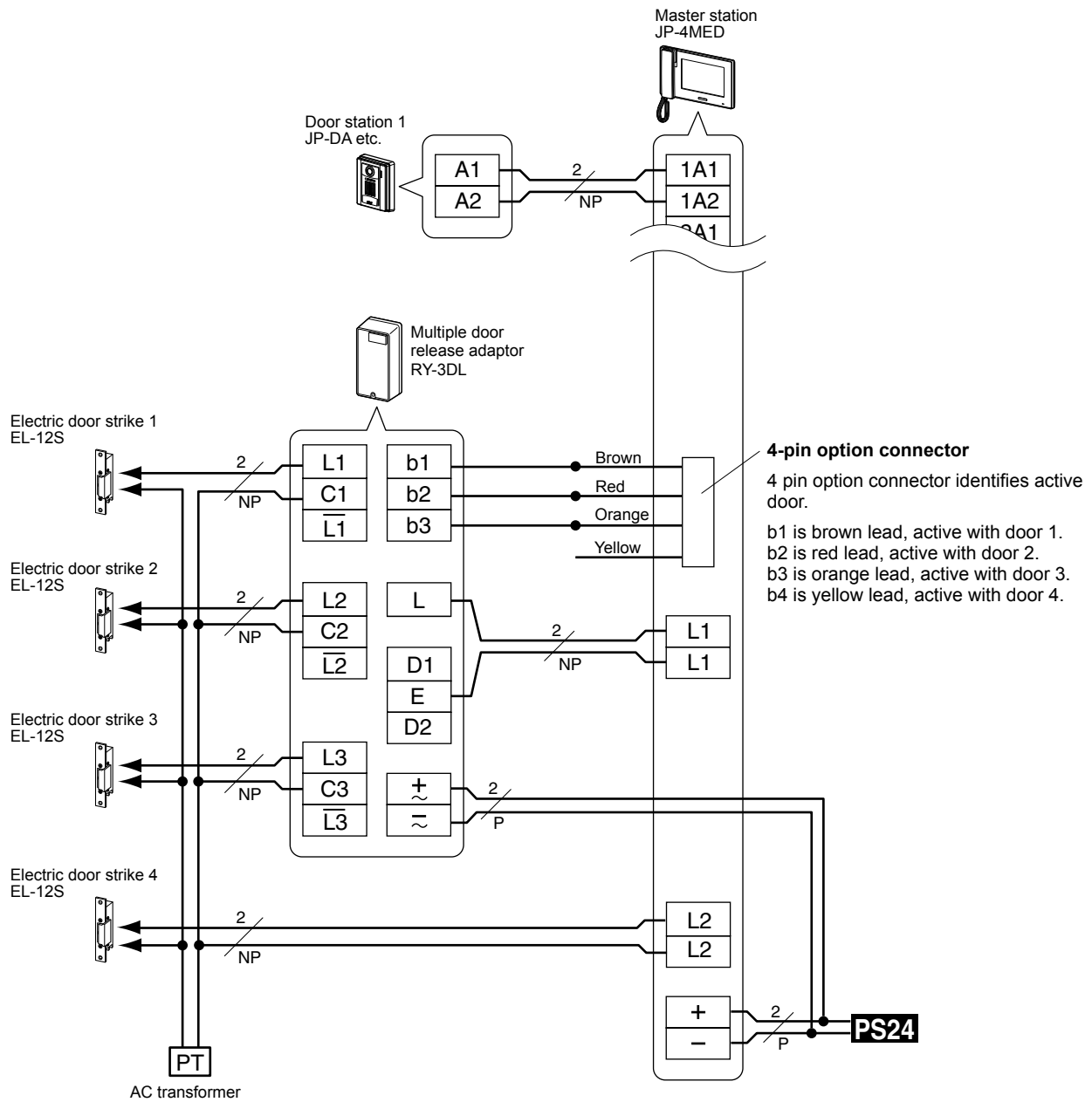
NOTES

- An optional audio door station installed with a CCTV camera provides door call-in, audio monitoring, and communication with visitors.
- Video input: 1 V_{p-p}/75 Ω
- When a PAL camera is used, the display range gets narrower than the imaging range.
- Turn on the units in the following order: the CCTV camera, the long distance adaptor, and the master station. If they are turned on in the wrong order, the CCTV camera may not be recognized in the system.
- Use a BNC connector 16 mm or less in diameter for connecting to the VIDEO INPUT terminal of JPW-BA.



■ Adding selective door release to the system

Connect four door release devices to the master station via RY-3DL, a multiple door release adaptor.
 Electric door strike 1 - 3 contacts release the door where communication is established.



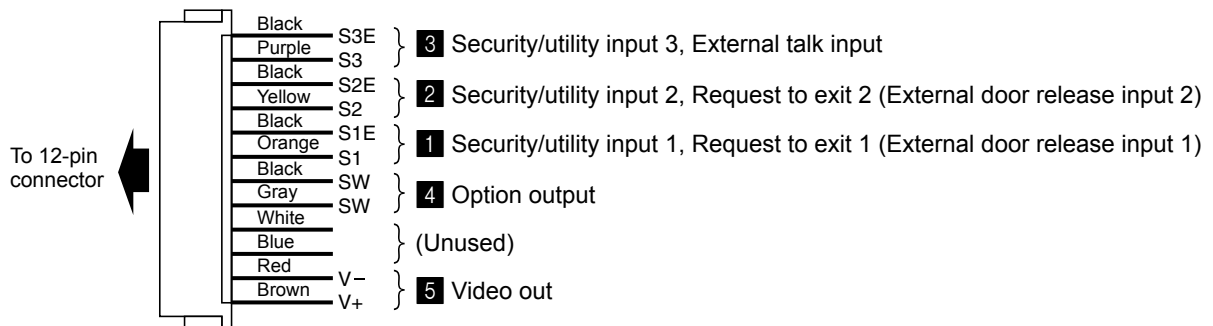
Connecting external devices (using the option connectors)

The option connectors of this station can be used with the following external devices. After connecting, program setting to control the devices with this station. (→P. 16)

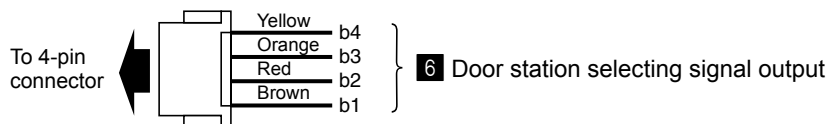
⚠ CAUTION

- To prevent shorts, cut unused lead wires at insulation.
- Be sure to perform an operation check after the connection to check for miswiring.

12-pin option connector



4-pin option connector



1 Security/utility input 1, Request to exit 1 (External door release input 1)

Connect a security sensor, call button, door release button, etc. to these inputs.

Input method	N/O or N/C dry closure contact (start signal only detection method)
Detection confirmation time	100 mS or more
Contact resistance	During N/O dry closure: Less than 700 Ω During N/C dry closure: At least 15 kΩ
Terminal short current	Less than 10 mA
Voltage between terminals	Less than 5 V DC (when open between terminals)

2 Security/utility input 2, Request to exit 2 (External door release input 2)

Same as 1.

3 Security/utility input 3, External talk input

Same as 1 except below.

- A foot switch can be connected to operate the **TALK** or **END** function hands-free.
- A door release button cannot be connected to these inputs.

4 Option output

Connect an alarm sensor, light, etc. to these outputs.

Contact capacity:

- Maximum overload: AC/DC 24 V, 1 A,
N/O dry closure contact
- Minimum overload: DC 5 V, 100 mA

5 Video out

Outputs video signals to an external monitor, DVR, etc.

- NTSC/PAL, 1 Vp-p/75 Ω
- Wiring distance: 3 m (10 feet)

NOTES:

- A video signal is output while receiving a call from, communicating with, or monitoring a door station. (A playing image will not be output.)
- When a video signal is output, this station may produce a noise, depending on the installation environment.
- When the image on the screen is adjusted by touching **ADJUST** (see page 21 of "OPERATION MANUAL"), the video signal output from this connector is also adjusted.
- When a video door station or camera is connected to this station via a long distance adaptor, the format of video signals output from this connector differs depending on the connected video door station or camera as follows. Connect a device compatible with the format of video signals output from this connector.
 - Aiphone video door station: NTSC
 - NTSC camera: NTSC
 - PAL camera: PAL

6 Door station selecting signal output

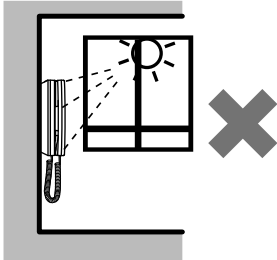
Connect the RY-3DL multiple door release adaptor to these outputs to add a selective door release system.

- * Refer to page 11 for connection method.

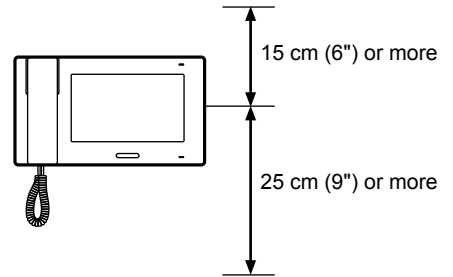
MOUNTING

Mounting locations

- Install this station in a place where the screen is not exposed to direct sunlight.



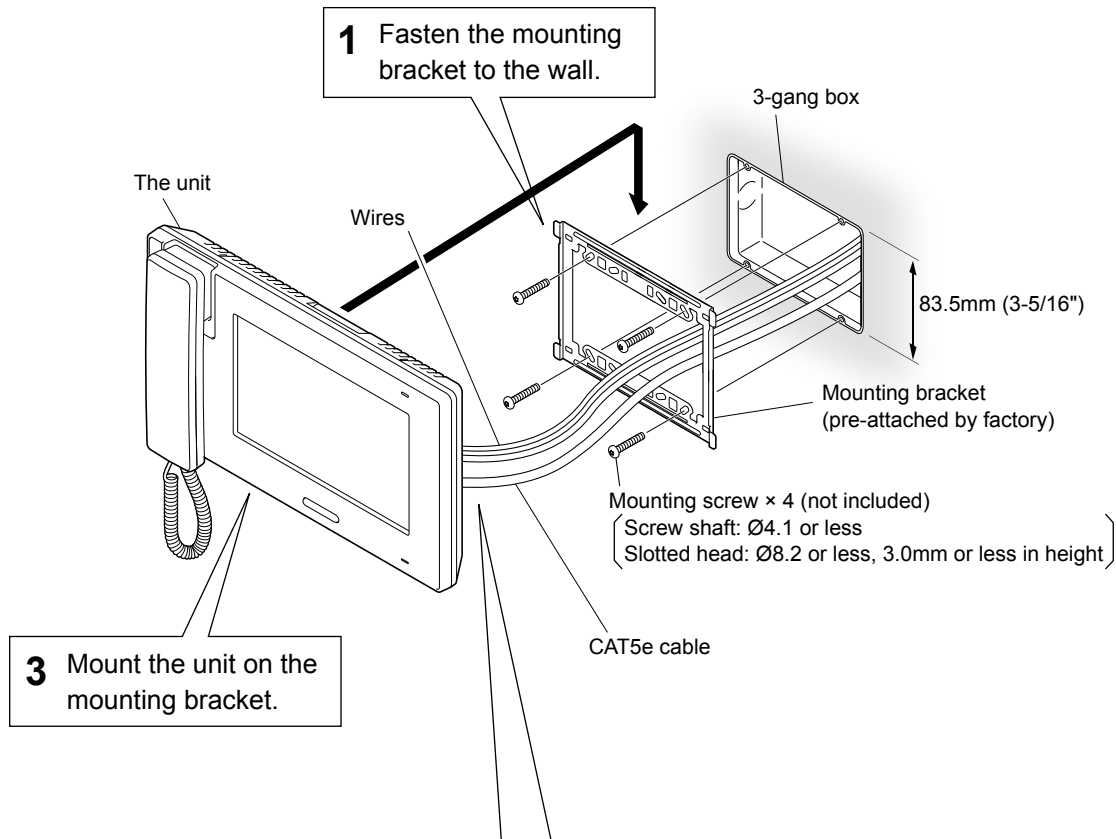
- Allow at least 15 cm (6") above and 25 cm (9") below center of the mounting bracket for installation of the station.



Mounting procedure

■ JP-4MED

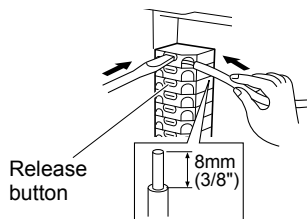
<Back wiring>



2 Connect the CAT5e cable and wires to the unit.

How to connect or disconnect wires

- Insert the wire into one of the coupling terminals.
- To ensure that the wire will not bend, press the release button while inserting into terminal.



Opening/closing the terminal cover

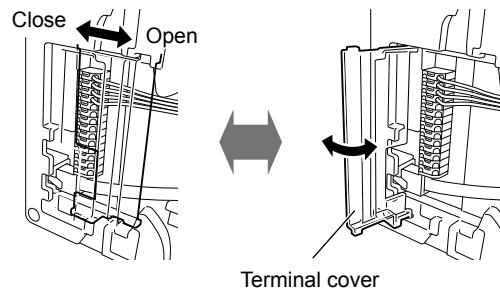
To open:

Slide the cover to the right until it clicks, and then open.

To close:

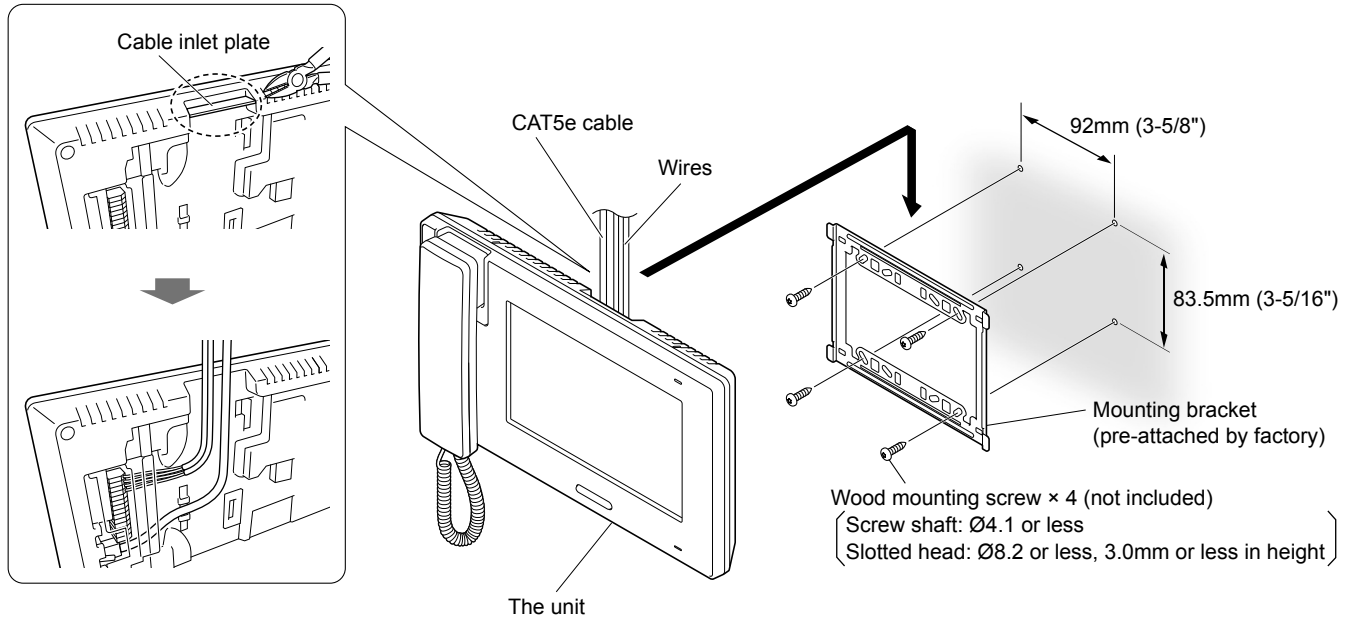
Close the cover, and then slide it to the left until it clicks.

* Make sure the cover is locked.



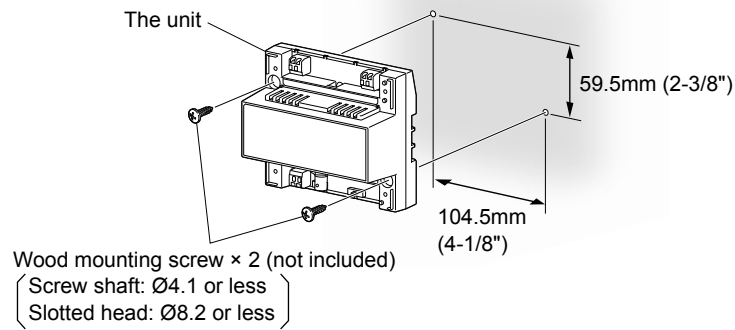
<Surface wiring>

When the wiring is not coming through the wall, the cable and wires can be routed through the top or bottom of the cable inlet. Remove cable inlet plate on the upper part of the unit to allow passage of the wiring into the unit.



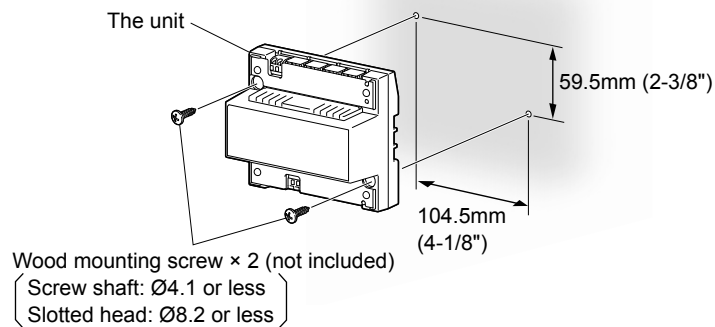
■ JPW-BA

Mount the unit directly on the wall using wood mounting screws.



■ JP-8Z

Mount the unit directly on the wall using wood mounting screws.



SETTINGS AFTER INSTALLATION

After installation, program the initial settings to activate the connected external devices.

NOTES:

- These settings should be made by the installer before the system is used.
- It is recommended to set the display language for the screen to the language needed. (Default language: English)
Refer to the "Operation manual" for setting the language.

Setting list

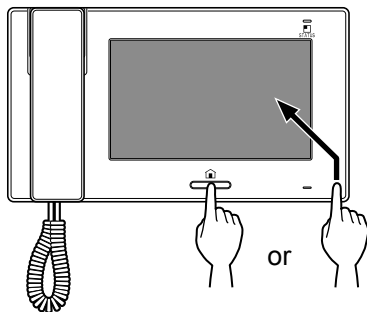
	Item	Sub item	Setting range	Default	
INSTALL	SECURITY SENSOR INPUTS	(Usage of the inputs 1 - 3)	DISABLE/UTILITY/SECURITY/ REQUEST TO EXIT (Inputs 1 and 2 only)/ EXT. TALK INPUT (Inputs 3 only)	DISABLE (for each)	
		(Detection method for the inputs 1 - 3)	N/O, N/C	N/O (for each)	
	OPTION OUTPUT	EVENT ACTIVATION	DISABLE/ENABLE	DISABLE	
		DURATION	MOMENTARY, 1, 3, 5, 10, 15, 20, 25, 30, 60 sec.	MOMENTARY	
		TRIGGER EVENT	DOOR CALL/ROOM CALL/ALARM ON/VIDEO OUT	(All are selected.)	
	SET DOOR RELEASE	LOCK1/ LOCK2	OUTPUT METHOD	N/O, N/C	N/O
			REFERENCE DOOR (for DOOR1 - 4)	SHOW/HIDE	SHOW (for each)
			DOOR RELEASE DURATION	MOMENTARY, 1, 3, 5, 10, 15, 20, 25, 30, 60 sec.	MOMENTARY
	INITIALIZE	-	-	YES/NO	-
	SOFTWARE VERSION	-	-	-	-

[INSTALL] menu

First display the [INSTALL] menu window to start making your settings.

* The screen will turn off if approx. one minute elapses with no operation during the setting. When this occurs, display the [INSTALL] menu window again.

- 1 If screen is off, press the [HOME] button, or touch screen to turn it on.



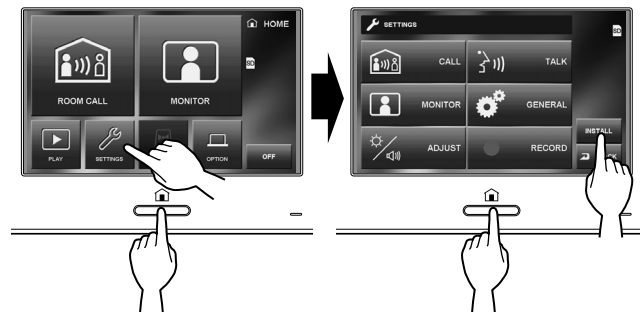
- 2 When the message "SET CURRENT DATE AND TIME." is displayed, touch [HOME].

HOME window is displayed.

- 3 Press and hold the [HOME] button, then touch

SETTINGS → INSTALL.

* If the [HOME] button is released before this step has been performed, the display returns to HOME window.

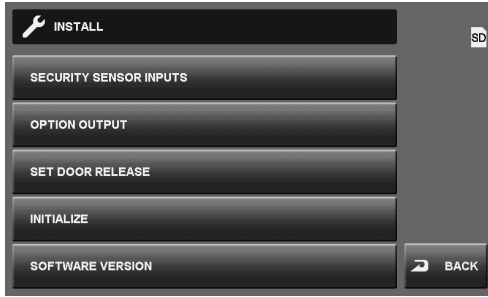


A notice message is displayed. You can release the [HOME] button.

- 4 Touch [ENTER] to continue the setting.



The [INSTALL] menu window is displayed.



Program the settings for each item as needed.

* If you wish to return to the previous window, touch **BACK**.

Setting for inputs and outputs

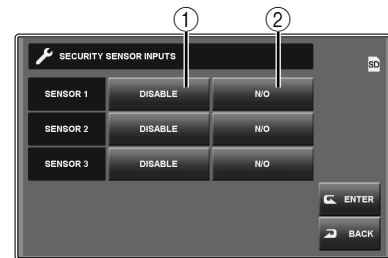
Adjust the settings for inputs 1, 2, 3 and option outputs.

■ Settings for the usage of the inputs 1, 2 and/or 3 [SECURITY SENSOR INPUTS]

1 From the [INSTALL] menu window, touch **SECURITY SENSOR INPUTS**.

The [SECURITY SENSOR INPUTS] window is displayed.

2 Change the settings for the inputs 1 (SENSOR 1).
 ① Touch this repeatedly to select the usage of the inputs.
 ② Touch this to change the input detection method between "N/O" (Normally Open) and "N/C" (Normally Closed).



Usage list

Usage	Description
DISABLE	Select this when no connection is made to the inputs.
UTILITY	Select this when a sensor, etc. is connected to the inputs for triggering the alarm.
SECURITY	Select this when a sensor is connected to the inputs for using the security function of this system.
REQUEST TO EXIT	(Inputs 1 and 2 only): Select this when a door release button is connected to the inputs.
EXT. TALK INPUT	(Inputs 3 only): Select this when a foot switch is connected to the inputs.

3 Repeat for the inputs 2 (SENSOR 2) and/or 3 (SENSOR 3).

4 When finished programming, touch **ENTER**.

■ Settings for the usage of the option outputs [OPTION OUTPUT]

- 1 From the [INSTALL] menu window, touch **[OPTION OUTPUT]**.

The [OPTION OUTPUT] window is displayed.

- 2 Change the settings by touching the items ① - ③ as in the table below.



	Item	Description
①	EVENT ACTIVATION	Set to "ENABLE" so that it is highlighted to make this station transfer alarm to the connected external device. Also select the action that triggers this station to transfer the alarm at ③. * When set to "ENABLE", [OPTION] is grayed out and disabled. Set to "DISABLE" to make this station output signals when [OPTION] is touched in the HOME window.
②	DURATION	Touch this repeatedly to select the duration time of outputting signals. Setting range: MOMENTARY, 1, 3, 5, 10, 15, 20, 25, 30, 60 sec. (seconds)
③	TRIGGER EVENT	(When [EVENT ACTIVATION] is set to "ENABLE" only): Select the action that triggers this station to transfer the alarm. DOOR CALL... Receiving a call from a door station ROOM CALL .. Calling a single or all sub master stations, or receiving a call from a sub master station ALARM ON..... Triggering an alarm for UTILITY or SECURITY setting VIDEO OUT Outputting video signals while receiving a call from, communicating with, or monitoring a door station Procedure: Touch the preferred action so that it is highlighted. Up to four actions can be selected.

- 3 When finished adjusting the settings, touch **[ENTER]**.

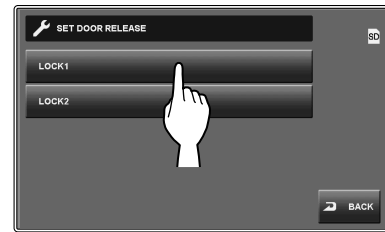
Door release settings [SET DOOR RELEASE]

Adjust the settings for controlling the door release devices connected to the "L1" and "L2" terminals.

- 1 From the [INSTALL] menu window, touch **[SET DOOR RELEASE]**.

The [SET DOOR RELEASE] window is displayed.

- 2 Touch **[LOCK1]** to change the settings for "L1".
* Set for "L1" and "L2" respectively.



- 3 Change the settings for "L1" by touching the items ① - ③ as in the table below.



	Item	Description
①	OUTPUT METHOD	Touch this, and then select the output method "N/O" or "N/C" so it is highlighted.
②	REFERENCE DOOR (for DOOR1 - 4)	Touch this to change for active (SHOW) or not (HIDE) to release the door lock for "L1" when communicating with the door station 1 - 4. * Adjust the setting for "DOOR1" to "DOOR4" respectively. e.g.) If "DOOR1" is set to "SHOW", when receiving a call from or monitoring the door station 1, [DOOR 1] is displayed on the screen. Touching it activates the door release device connected to "L1". If it is set to "HIDE", [DOOR 1] is grayed out and disabled.
③	DOOR RELEASE DURATION	Touch this, and then select the desired door release time so that it is highlighted. Setting range: MOMENTARY, 1, 3, 5, 10, 15, 20, 25, 30, 60 sec. * If this is set to "MOMENTARY", the door release is activated while [DOOR 1] is touched and held.

- 4 Adjust "L2" using the same directions as "L1".

Initializing station [INITIALIZE]

By initializing this station, all settings return to default.

* Recorded images on the SD (or SDHC) card are not be erased.

- 1 From the [INSTALL] menu window, touch [INITIALIZE].
A notice message is displayed.
- 2 Touch [YES] to continue initializing.
To cancel initializing, touch [NO].
When "INITIALIZATION COMPLETE" is displayed, initializing is complete.

Identifying software version [SOFTWARE VERSION]

You can identify the software version of the door stations, master station and/or sub master stations connected to this system. Use this item when doing maintenance etc.

From the [INSTALL] menu window, touch [SOFTWARE VERSION].

The name of the door stations, master station, and/or sub master stations connected to this system and their software versions are displayed.

TECHNICAL DATA AND PRECAUTIONS

Technical data

• JP-4MED

Operating temperature	0 - 40°C (+32°F - +104°F)
Dimensions	255 (W) x 145 (H) x 30 (D) mm 10-1/16" (W) x 5-3/4" (H) x 1-3/16" (D)
Mass	Approx. 790g (1.74 lbs.)

• JPW-BA

Operating temperature	0 - 40°C (+32°F - +104°F)
Dimensions	123 (W) x 109 (H) x 61 (D) mm 4-7/8" (W) x 4-5/16" (H) x 2-7/16" (D)
Mass	Approx. 200g (0.44 lbs.)

• JP-8Z


Operating temperature	0 - 40°C (+32°F - +104°F)
Dimensions	123 (W) x 109 (H) x 61 (D) mm 4-7/8" (W) x 4-5/16" (H) x 2-7/16" (D)
Mass	Approx. 210g (0.46 lbs.)

Technical precautions

- Cleaning: Clean the units with a soft cloth and gentle cleaner. Do not spray cleaner directly on unit. Do not use an abrasive cleaner or cloth.

WARRANTY

Aiphone warrants its products to be free from defects of material and workmanship under normal use and service for a period of two years after delivery to the ultimate user and will repair free of charge or replace at no charge, should it become defective upon which examination shall disclose to be defective and under warranty. Aiphone reserves unto itself the sole right to make the final decision whether there is a defect in materials and/or workmanship; and whether or not the product is within the warranty. This warranty shall not apply to any Aiphone product which has been subject to misuse, neglect, accident, power surge, or to use in violation of instructions furnished, nor extended to units which have been repaired or altered outside of the factory. This warranty does not cover batteries or damage caused by batteries used in connection with the unit. This warranty covers bench repairs only, and any repairs must be made at the shop or place designated in writing by Aiphone. This warranty is limited to the standard specifications listed in the operation manual. This warranty does not cover any supplementary function of a third party product that is added by users or suppliers. Please note that any damage or other issues caused by failure of function or interconnection with Aiphone products is also not covered by this warranty. Aiphone will not be responsible for any costs incurred involving on site service calls. Aiphone will not provide compensation for any loss or damage incurred by the breakdown or malfunction of its products during use, or for any consequent inconvenience or losses that may result.

The object area of  is the EU.

FCC

This device complies with Part 15 of the FCC Rules. Operation is subject to the following two conditions: (1) this device may not cause harmful interference, and (2) this device must accept any interference received, including interference that may cause undesired operation.

This equipment has been tested and found to comply with the limits for a Class B digital device, pursuant to Part 15 of the FCC Rules. These limits are designed to provide reasonable protection against harmful interference in a residential installation. This equipment generates, uses, and can radiate radio frequency energy, and if not installed and used in accordance with the instructions, may cause harmful interference to radio communications. However, there is no guarantee that interference will not occur in a particular installation. If this equipment does cause harmful interference to radio or television reception, which can be determined by turning the equipment off and on, the user is encouraged to try to correct the interference by one or more of the following measures:

- Reorient or relocate the receiving antenna
- Connect the equipment to an outlet on a circuit different from that to which the receiver is connected. Increase the separation between the equipment and receiver.
- Consult the dealer or an experienced radio/TV technician for help.

 **AIPHONE**®
Providing Peace of Mind
<http://www.aiphone.net/>